

**BeO FREE™**

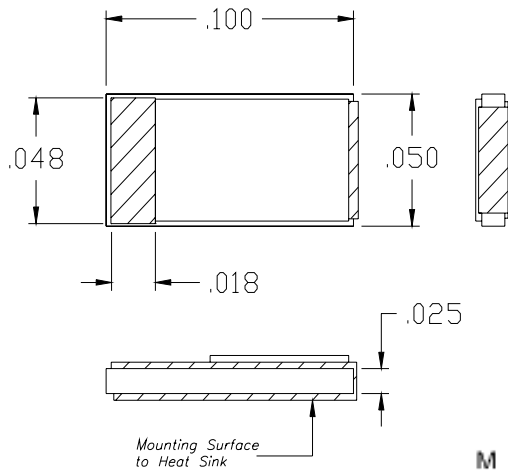
**TERMINATION**

**Features:**

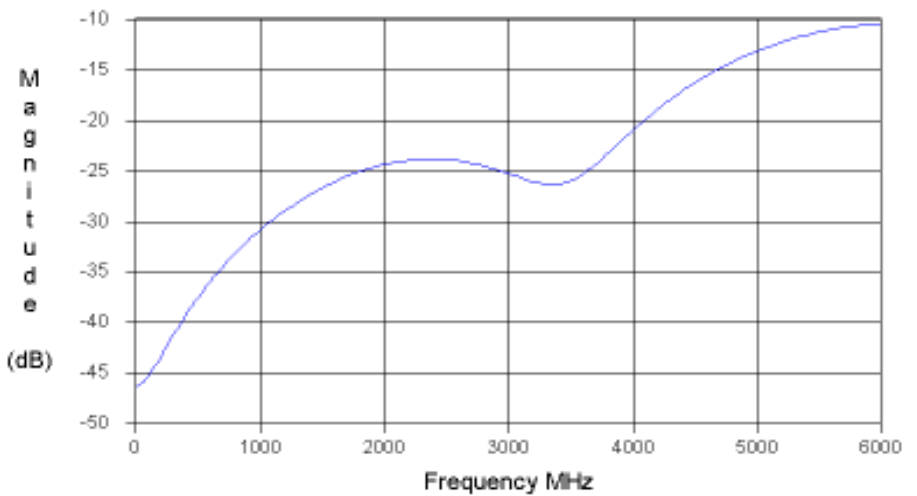
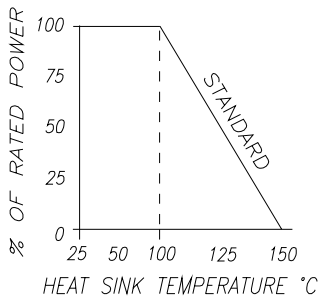
- ◆ BeO FREE™
- ◆ DC-4GHz performance
- ◆ 5 Watt power handling
- ◆ Solder mountable
- ◆ CT - Matte Tin over Nickel over Silver

**General Description:**

The TV1005CT-50R0JN-83 is a solder mountable BeO FREE™ termination with a power handling of 5 Watts while maintaining a heat sink temperature of 100°C and a frequency range from DC - 4 GHz.



DERATING CURVE:



Parameter	Min.	Typ.	Max.	Units
Frequency Range	DC		4	GHz
Return Loss	20			
Power Dissipation			5	Watts
Heat Sink Temperature			100	°C

\* Barry Industries reserves the right to change part number and or process without notification