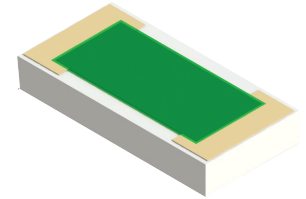


RM1005ZZ-XXXXWN-91 Features:

- Single-Sided Terminals w/ Backplane Configuration
- Solder, Epoxy or Wirebondable Terminals
- Solder or Epoxy Mount Backplane
- Customer Defined Testing Available
- RoHS Compliant or SnPb Available
- Non-Magnetic Available
- Tape & Reel and Waffle Pack Available (Standard is bulk)



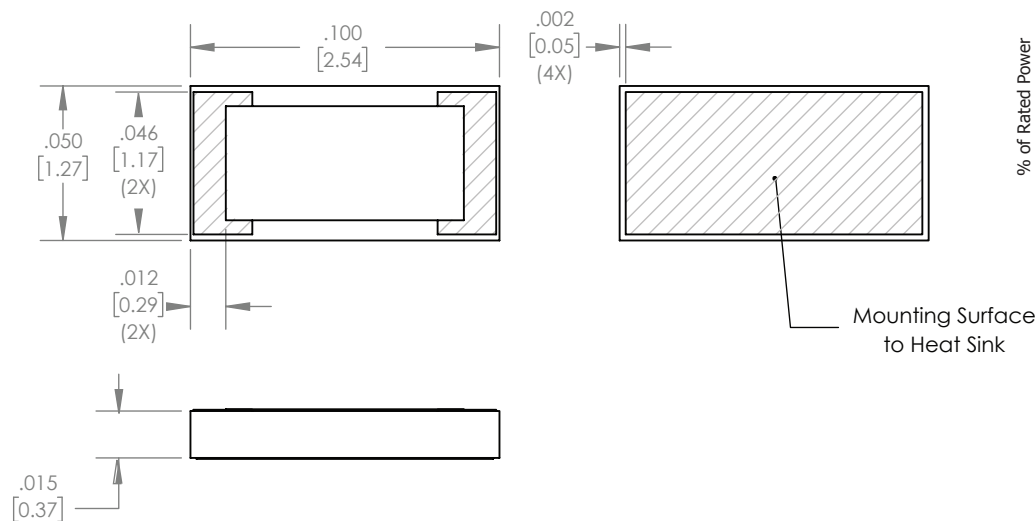
■ Actual Size

RM1005ZZ-XXXXWN-91 Parameters:

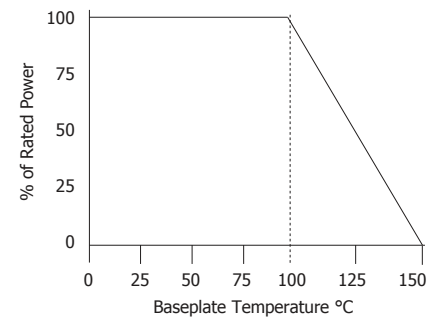
| | |
|------------------------|---|
| Resistance Range: | 0.5Ω - 1MΩ |
| Rated Power:* | 2.5W |
| Construction: | Thick Film on 0.015" Al ₂ O ₃ |
| Operating Temperature: | -55 to +150°C |

* Rating based on ≤100°C constant baseplate temperature

RM1005ZZ-XXXXWN-91 Dimensions:



RM1005ZZ-XXXXWN-91 Power Derating Curve



Dimensions in inches [mm]
Tolerance is ± 0.005 [0.13]
unless otherwise stated

Ordering Information:

Example Part Number: RM1005CC-50R0GN-91

| RM | 1005 | ZZ | - | XXXX | W | N | - | 91 | UU |
|---|------|----|---|--------------|-----------|--|---|--|--|
| Prefix for Resistor w/ Single-Sided Terminals and Backplane | | | | Value Code | Tolerance | Normal Inspection | | Substrate | Packaging |
| Size | 1005 | | | 50R0 - 50Ω | F - 1% | Contact factory for additional options | | 91 - 0.015" Al ₂ O ₃ | Blank - Bulk WP - Waffle Pack TR - Tape & Reel |
| | | | | 1000 - 100Ω | G - 2% | | | | |
| | | | | 1001 - 1KΩ | J - 5% | | | | |
| | | | | 1002 - 10KΩ | | | | | |
| | | | | 1003 - 100KΩ | | | | | |
| | | | | 1004 - 1MΩ | | | | | |

Terminal Metallization

| | RoHS | Magnetic | Solder | Epoxy | Wirebond |
|---|------|----------|-----------------|-------|---------------------|
| AS - Tin Lead over Platinum Palladium Gold | No | No | Yes | No | No |
| CB - Tin Lead over Nickel over Silver | No | Yes | Yes | No | No |
| CC - 100% Matte Tin over Copper over Silver | Yes | No | Yes | No | No |
| CT - 100% Matte Tin over Nickel over Silver | Yes | Yes | Yes | No | No |
| EA - Gold I/O Terminals w/ Palladium Silver Backplane | Yes | No | Yes (Backplane) | Yes | Yes (I/O Terminals) |
| FA - Gold I/O Terminals w/ Platinum Gold Backplane | Yes | No | Yes (Backplane) | Yes | Yes (I/O Terminals) |
| GA - Gold | Yes | No | No | Yes | Yes |

Barry Industries reserves the right to change part number and/or process without notification.

RM1005ZZ-XXXXWN-91 Reliability Specifications:

| Parameter: | Test Condition: | Results: |
|--------------------------------|---|---|
| Short Time Overload | Apply 1.1x Rated Power for 5 Seconds. | ≤ 5.0% Resistance Shift |
| Rated Load Life | Apply 1/2 Power Under 40°C ±2°C 90 Minutes on/ 30 Minutes off. Repeat for 100 hours | ≤ 5.0% Resistance Shift |
| Moisture Resistance | MIL-PRF-55342 para 4.8.9 95% RH, 25°C - 65°C | ≤ 5.0% Resistance Shift |
| Resistance to Soldering Heat | MIL-STD-202 Method 210 and MIL-PRF-55342 Para 4.8.8.1 | ≤ 5.0% Resistance Shift |
| Resistance to Bonding Exposure | MIL-PRF-55342 Para 4.8.8.2 | ≤ 5.0% Resistance Shift |
| Solderability | MIL-PRF-55342 Para 4.8.12 | >95% Covered |
| High Temperature Storage | 125°C ±2°C for 500 Hours | 1.) ≤ 5.0% Resistance Shift 2.) No Significant Abnormality (Visual) |
| Thermal Shock | -65 to +125 30 Minutes Dwell, 5 Cycles | 1.) ≤ 5.0% Resistance Shift 2.) No Significant Abnormality (Visual) |

Barry Industries reserves the right to change part number and/or process without notification.