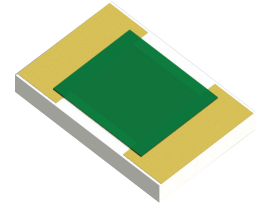


### RM0805ZZ-XXXXWN-90 Features:

- Single-Sided Terminals w/ Backplane Configuration
- Solder, Epoxy or Wirebondable Terminals
- Solder or Epoxy Mount Backplane
- Customer Defined Testing Available
- RoHS Compliant or SnPb Available
- Non-Magnetic Available
- Tape & Reel and Waffle Pack Available (Standard is bulk)

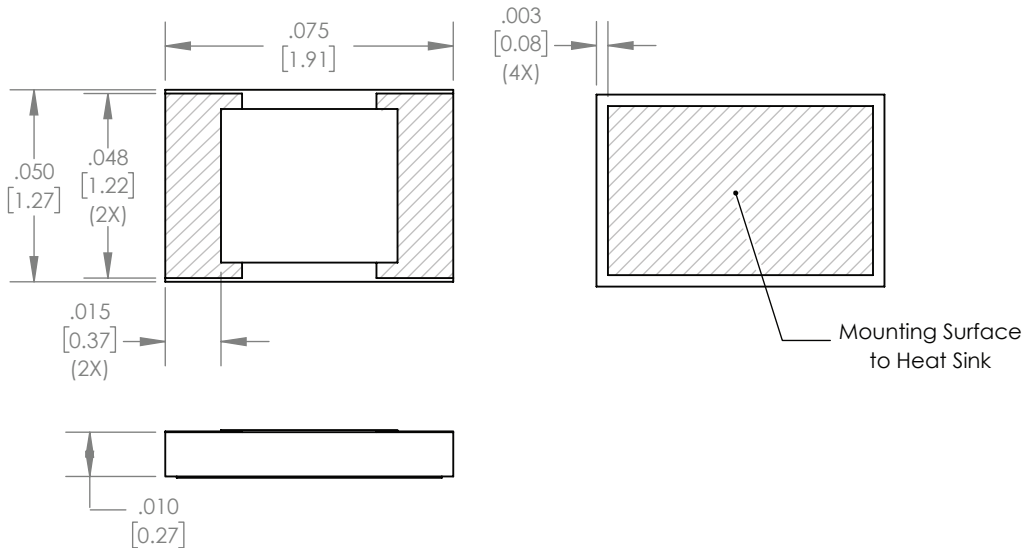


### RM0805ZZ-XXXXWN-90 Parameters:

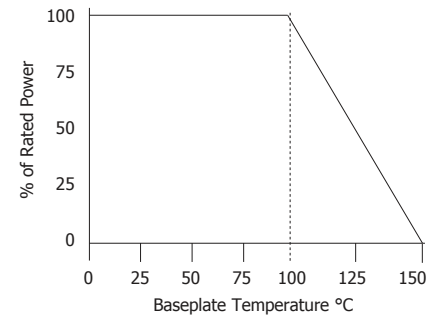
Resistance Range:	0.5Ω - 1MΩ
Rated Power:*	3W
Construction:	Thick Film on 0.010" Al <sub>2</sub> O <sub>3</sub>
Operating Temperature:	-55 to +150°C

\* Rating based on ≤100°C constant baseplate temperature

### RM0805ZZ-XXXXWN-90 Dimensions:



### RM0805ZZ-XXXXWN-90 Power Derating Curve



Dimensions in inches [mm]  
Tolerance is ± 0.005 [0.13]  
unless otherwise stated

### Ordering Information:

### Example Part Number: RM0805EA-50R0FN-90WP

RM	0805	ZZ	-	XXXX	W	N	-	90	UU	
Prefix for Resistor w/ Single-Sided Terminals and Backplane	Size	Value Code		Value Code	Tolerance	Normal Inspection		Substrate	Packaging	
	0805	50R0 - 50Ω 1000 - 100Ω 1001 - 1KΩ		1002 - 10KΩ 1003 - 100KΩ 1004 - 1MΩ	F - 1% G - 2% J - 5%	Contact factory for additional options		90 - 0.010" Al <sub>2</sub> O <sub>3</sub>	Blank - Bulk WP - Waffle Pack TR - Tape & Reel	
Terminal Metallization					RoHS	Magnetic		Solder	Epoxy	Wirebond
AS - Tin Lead over Platinum Palladium Gold					No	No		Yes	No	No
CB - Tin Lead over Nickel over Silver					No	Yes		Yes	No	No
CC - 100% Matte Tin over Copper over Silver					Yes	No		Yes	No	No
CT - 100% Matte Tin over Nickel over Silver					Yes	Yes		Yes	No	No
EA - Gold I/O Terminals w/ Palladium Silver Backplane					Yes	No		Yes (Backplane)	Yes	Yes (I/O Terminals)
FA - Gold I/O Terminals w/ Platinum Gold Backplane					Yes	No		Yes (Backplane)	Yes	Yes (I/O Terminals)
GA - Gold					Yes	No		No	Yes	Yes

Barry Industries reserves the right to change part number and/or process without notification.

**RM0805ZZ-XXXXWN-90 Reliability Specifications:**

Parameter:	Test Condition:	Results:
Short Time Overload	Apply 1.1x Rated Power for 5 Seconds.	≤ 5.0% Resistance Shift
Rated Load Life	Apply 1/2 Power Under 40°C ±2°C 90 Minutes on/ 30 Minutes off. Repeat for 100 hours	≤ 5.0% Resistance Shift
Moisture Resistance	MIL-PRF-55342 para 4.8.9 95% RH, 25°C - 65°C	≤ 5.0% Resistance Shift
Resistance to Soldering Heat	MIL-STD-202 Method 210 and MIL-PRF-55342 Para 4.8.8.1	≤ 5.0% Resistance Shift
Resistance to Bonding Exposure	MIL-PRF-55342 Para 4.8.8.2	≤ 5.0% Resistance Shift
Solderability	MIL-PRF-55342 Para 4.8.12	>95% Covered
High Temperature Storage	125°C ±2°C for 500 Hours	1.) ≤ 5.0% Resistance Shift 2.) No Significant Abnormality (Visual)
Thermal Shock	-65 to +125 30 Minutes Dwell, 5 Cycles	1.) ≤ 5.0% Resistance Shift 2.) No Significant Abnormality (Visual)

Barry Industries reserves the right to change part number and/or process without notification.