

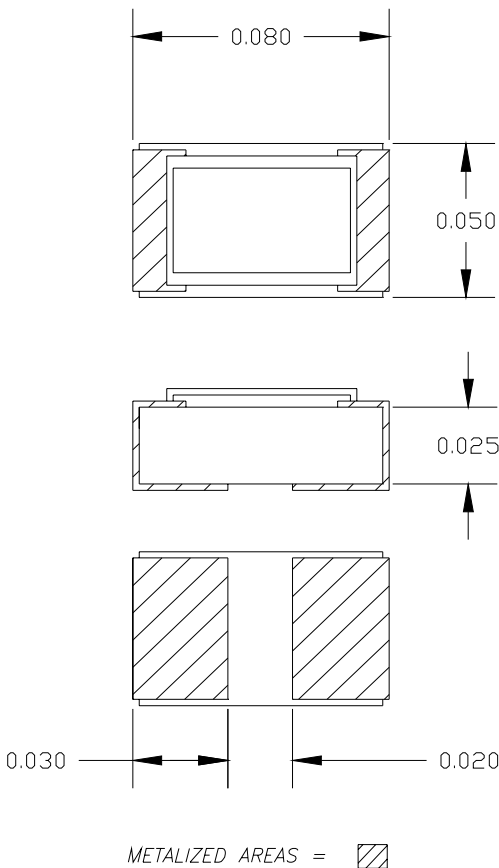
ALUMINUM NITRIDE SURFACE MOUNT RESISTOR

Features:

- ◆ **AlN material**
- ◆ Surface Mount
- ◆ Pre-Tinned
- ◆ 5 Watt Power Handling

General Description:

The RE0805CT-XXXXJN-2S* is a 50 Ohm standard (.5 - 1Megohm available) surface mountable high power chip resistor ideal for small assemblies. It offers a power dissipation of 5 Watts.

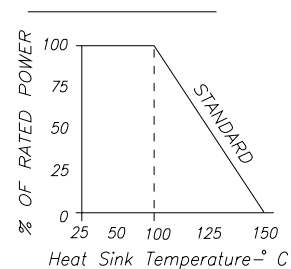


* XXXX = Resistance Value in Ohms

Ohms

0.5...R500
 11R00
 10.....10R0
 50.....50R0
 100...1000
 150...1500
 1K....1001
 10K...1002
 100K.1003
 470K.4703
 1M....1004

Sample part number:
 RE0805CT-50R0JN-2S



Parameter	Min.	Typ.	Max.	Units
Power Dissipation			5	WATTS
Heat Sink Temperature			100	°C