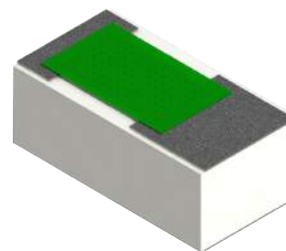


TV0402ZZ-XXXXWN-AA Features:

- Solder, Epoxy or Wirebondable Terminals
- Al₂O₃ or BeO Substrate
- Customer Defined Testing Available
- Tape & Reel and Waffle Pack Available (Standard is Bulk)

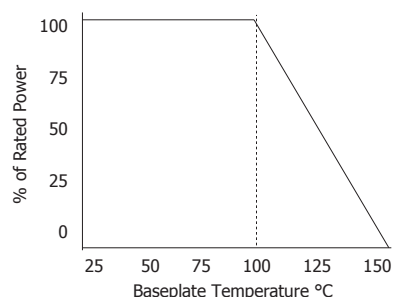
TV0402ZZ-XXXXWN-AA Parameters:

Operating Frequency:	DC - 26GHz
Rated Power*:	
0.010" Al ₂ O ₃ Substrate:	1.5W
0.015" Al ₂ O ₃ Substrate:	1W
0.015" BeO Substrate:	2.5W
Operating Voltage (DC):	50V
Return Loss (Typical)**:	15dB or Better
Standard Impedance:	50Ω***
Resistor Tolerance:	To ±1%***
Resistor Construction:	Thick Film
Operating Temperature:	-55 to +150°C



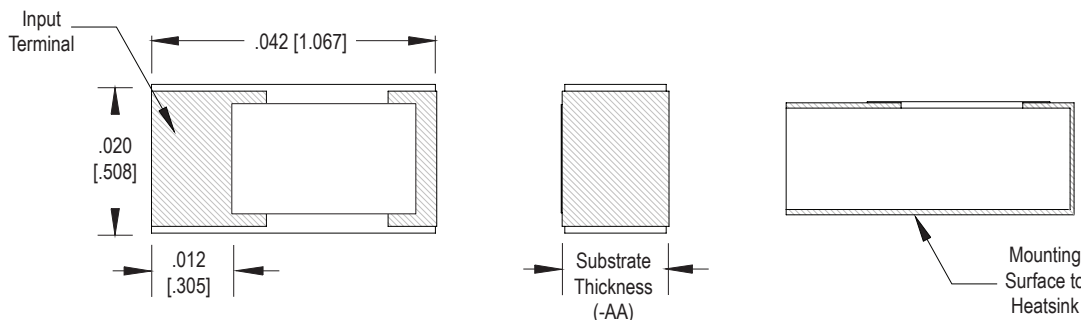
= Actual Size

TV0402ZZ-XXXXWN-AA Power Derating Curve



* Rating based on ≤100°C constant baseplate temperature
 ** In a matched, continuous 50Ω system with proper workmanship
 *** Other values and tolerances available. Contact factory.

TV0402ZZ-XXXXWN-AA Dimensions:



Dimensions in inches [mm]
 Tolerance is ± 0.003 [0.076] unless otherwise stated

Ordering Information:

Example: TV0402CT-50R0JN-90TR

TV	0402	ZZ	-	XXXX	W	N	-	AA	UU
Prefix for Chip Termination	Size	Value Code		Value Code	Tolerance	Inspection Level		Substrate	Packaging
0402	1R00 - 1Ω 10R0 - 10Ω 50R0 - 50Ω	1000 - 100Ω 1001 - 1KΩ 1002 - 10KΩ		F - 1% G - 2% J - 5%	K - 10% L - 20% X - Special	N - Normal		90 - 0.010" Al ₂ O ₃ 91 - 0.015" Al ₂ O ₃ 96 - 0.015" BeO	Blank - Bulk TR - Tape & Reel WP - Waffle Pack

Terminal Metallization

AS -	Sn62 Tin Lead over Platinum Gold
BA -	Palladium Silver
CB -	Sn62 Tin Lead over Nickel over Silver
CT -	100% Matte Tin over Nickel over Silver
GA -	Gold (Al ₂ O ₃ only. Use JA for BeO)
JA -	Gold over Platinum Palladium Gold (BeO only)
EA -	Gold Input with Palladium Silver Ground (Al ₂ O ₃ only)
FA -	Gold Input with Palladium Gold Ground (Al ₂ O ₃ only)

RoHS	Magnetic	Solder	Epoxy	Wirebond
No	No	Yes	No	No
Yes	No	No	Yes	No
No	Yes	Yes	No	No
Yes	Yes	Yes	No	No
Yes	No	No	Yes	Yes
Yes	No	Yes (GND Only)	Yes	Yes (IN Only)
Yes	No	Yes (GND Only)	Yes	Yes (IN Only)

Barry Industries reserves the right to change part number and/or process without notification.

