

ALUMINUM NITRIDE

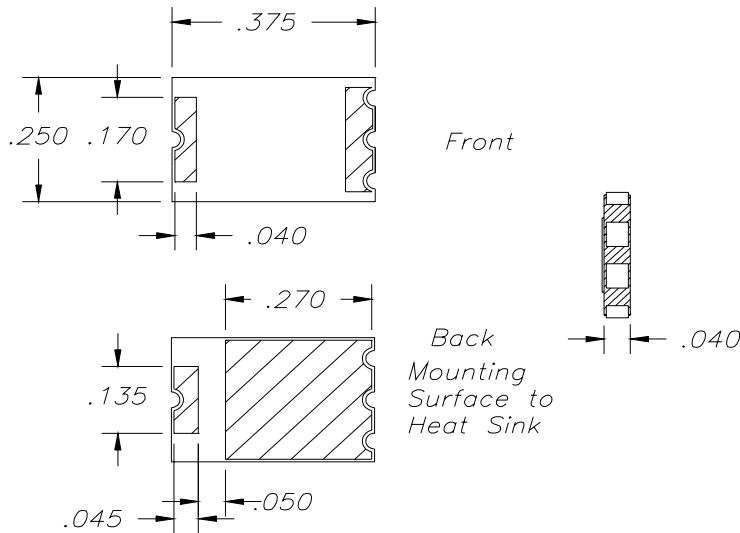
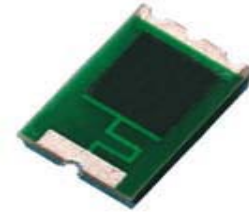
TERMINATION

Features:

- ◆ AIN material
- ◆ Surface Mount
- ◆ 150 Watts Power Rating
- ◆ DC-3.5 GHz performance

General Description:

The TZC3725CT-XXXXJN-2T-01* is a 50 Ohm standard surface mountable termination capable of dissipating 150 Watts while maintaining a constant heat sink temperature of 100°C. It offers an excellent frequency range from DC to 3.5 GHz.



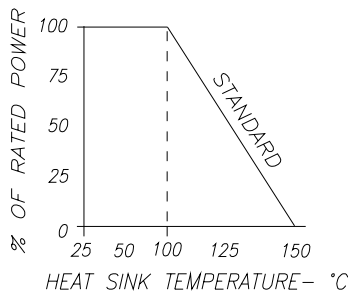
* XXXX = Resistance Value in Ohms

Ohms
0.5...R500
1.....1R00
10....10R0
50....50R0
100...1000
150...1500

Sample part number:

TZC3725CT-50R0JN-2T-01

DERATING CURVE:



Parameter	Min.	Typ.	Max.	Units
Frequency Range	DC		3.5	GHz
Input Return Loss	20			dB
Power Dissipation			150	Watts
Heat Sink Temperature			100	°C

Barry Industries reserves the right to change part number and or process without notification.

Barry Industries, Inc., 60 Walton St., Attleboro, MA 02703 T: 508-226-3350 F: 508-226-3317 E-mail: sales@barryind.com

Barry Industries maintains an ISO 9001 Certified Quality Management System

Origination Date	Revision Date	Rev.
4/13/04	06/14/06	C