



WWW.BARRYIND.COM

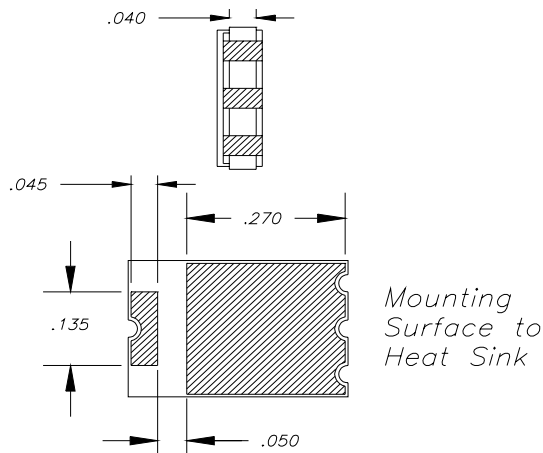
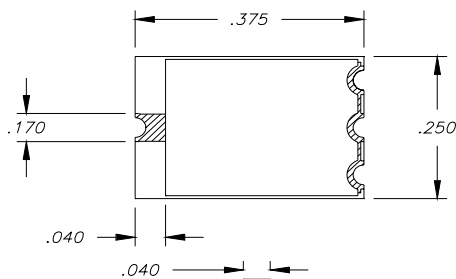
TZC3725CB-XXXXJN-99

BeO

CHIP TERMINATION

Features:

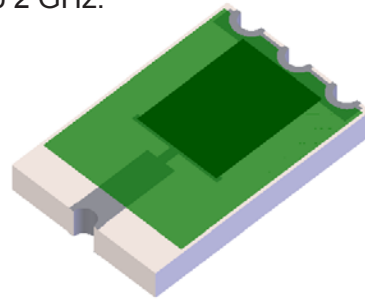
- ◆ BeO Material
- ◆ DC - 2 GHz performance
- ◆ 50 Watt Input Power
- ◆ CB-Tin Lead over Nickel over Silver
- ◆ Solder Mountable



Dimensions in inches
Tolerance $\pm .010$
unless otherwise stated

General Description:

The TZC3725CB-XXXXJN-99* is a BeO, 50 Ohm standard (.5 - 1Megohm available) solder mountable chip termination. It has an input power of 50 watts, while maintaining a constant mounting surface temperature of 100°C. It offers a frequency range from DC to 2 GHz.

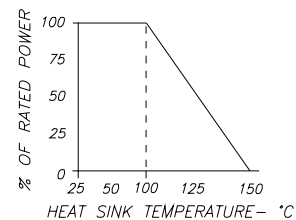


* XXXX = Resistance Value in Ohms

- Ohms
- 0.5...R500
 - 11R00
 - 10.....10R0
 - 50.....50R0
 - 100...1000
 - 150...1500
 - 1K....1001
 - 10K...1002
 - 100K.1003
 - 470K.4703
 - 1M...1004

Sample part number:
TZC3725CB-50R0JN-99

DERATING CURVE:



Parameter	Min.	Typ.	Max.	Units
Frequency Range	DC		2	GHz
Input Return Loss	17			dB
Input Power			50	Watts
Mounting Surface Temperature			100	°C

Barry Industries reserves the right to change part number and or process without notification.

Barry Industries, Inc., 60 Walton St., Attleboro, MA 02703 T: 508-226-3350 F: 508-226-3317 E-mail: sales@barryind.com

Barry Industries maintains an ISO 9001 Certified Quality Management System

Origination Date	Revision Date	Rev.
04/13/04	04/11/08	A