



WWW.BARRYIND.COM

TZC2525CT-50R0JN-99



BeO

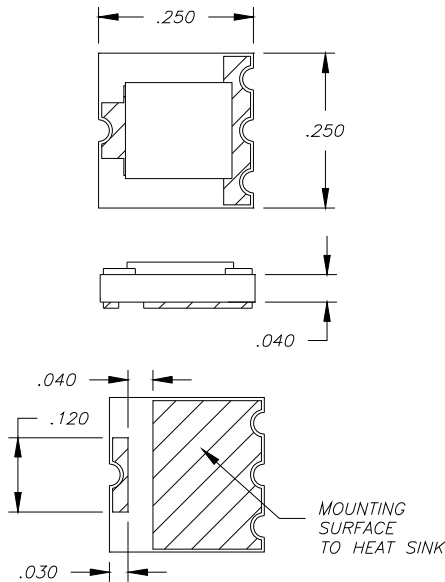
SURFACE MOUNT TERMINATION

Features:

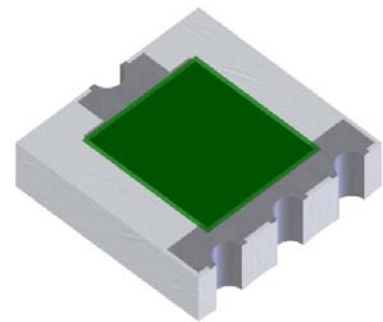
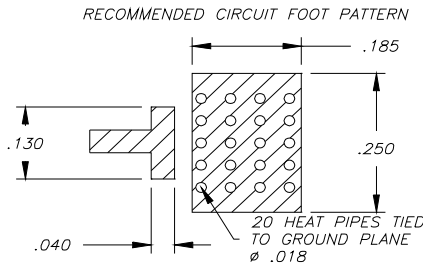
- ◆ BeO Material
- ◆ DC - 2 GHz performance
- ◆ 100 Watt Input Power
- ◆ Surface mountable
- ◆ CT=Matte Tin over Nickel over Silver

General Description:

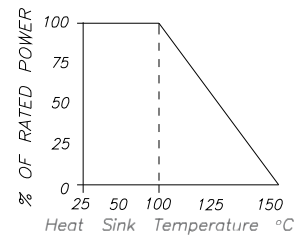
The TZC2525CT-50R0JN-99 is a 50 ohm, BeO surface mountable termination. It has an input power rating of 100 watts, while maintaining a constant mounting surface temperature of 100 °C. It offers a frequency range from DC to 2 GHz.



Dimensions in inches
Tolerance $\pm .010$
unless otherwise stated



DERATING CURVE:



Parameter	Min.	Typ.	Max.	Units
Frequency Range	DC		2	GHz
Return Loss	15	20		dB
Input Power			100	Watts
Resistance	47.5	50	52.5	Ohms
Mounting Surface Temperature			100 150 (0% Power)	°C

Barry Industries reserves the right to change part number and or process without notification.

Barry Industries, Inc., 60 Walton St., Attleboro, MA 02703 T: 508-226-3350 F: 508-226-3317 E-mail: sales@barryind.com
Barry Industries maintains an ISO 9001 Certified Quality Management System

Origination Date	Revision Date	Rev.
9/25/07	12/07/11	B