



TVC2525CT-50R0JN-99



WWW.BARRYIND.COM

BeO

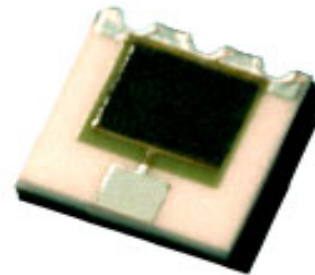
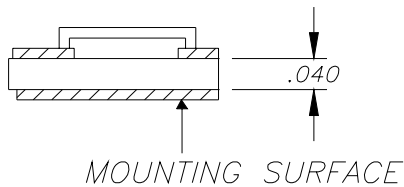
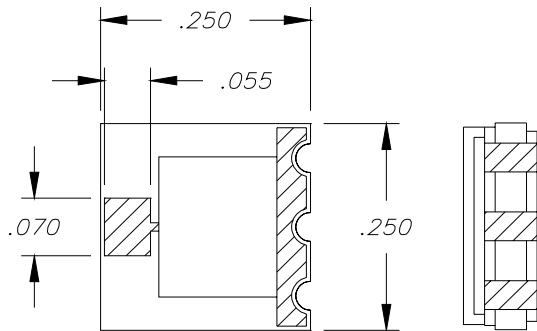
TERMINATION

Features:

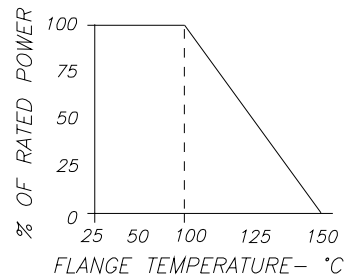
- ◆ BeO
- ◆ Solder mountable
- ◆ 100 Watt Input Power
- ◆ DC - 6 GHz performance

General Description:

The TVC2525CT-50R0JN-99 is a 50 Ohm BeO chip termination capable of an input power of 100 Watts while maintaining a constant 100°C heat sink temperature. It offers an excellent frequency range from DC to 6 GHz.



DERATING CURVE:



Parameter	Min.	Typ.	Max.	Units
Frequency Range	DC		6	GHZ
Input Return Loss	17			dB
Impedance	47.5	50	52.5	Ohms
Input Power			100	Watts
Mounting Surface Temperature			100	°C

Barry Industries reserves the right to change part number and or process without notification.

Barry Industries, Inc., 60 Walton St., Attleboro, MA 02703 T: 508-226-3350 F: 508-226-3317 E-mail: sales@barryind.com

Barry Industries maintains an ISO 9001 Certified Quality Management System

Origination Date	Revision Date	Rev.
5/07/07	5/07/07	-