



WWW.BARRYIND.COM

TVC2525CT-50R0JN-2T-04



ALUMINUM NITRIDE

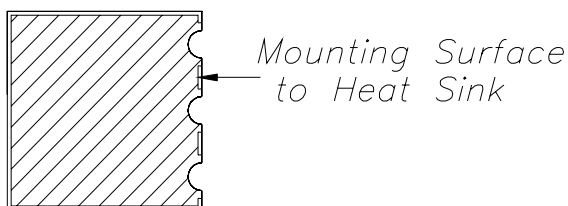
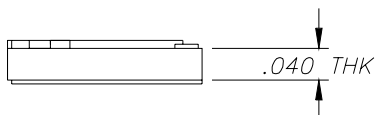
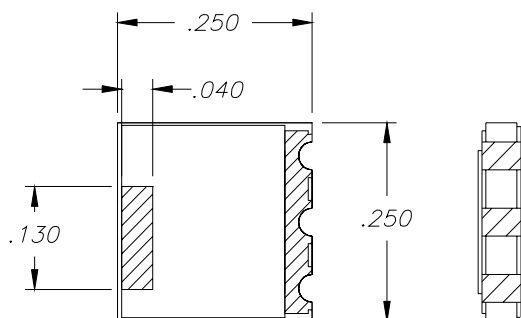
CHIP TERMINATION

Features:

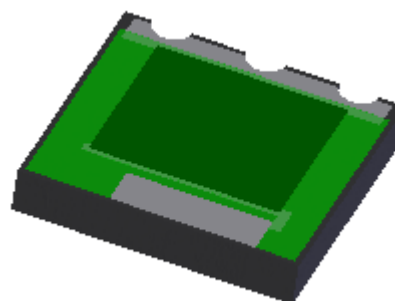
- ◆ Aluminum Nitride Material
- ◆ DC - 2.5 GHz Performance
- ◆ 100 Watt Input Power
- ◆ Solder Mountable

General Description:

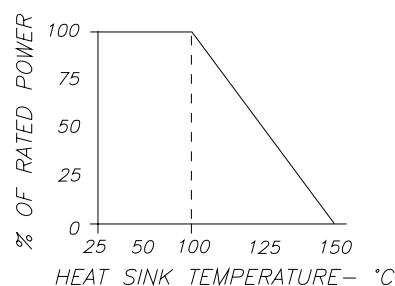
The TVC2525CT-50R0JN-2T-04 is an Aluminum Nitride chip termination. It has an input power of 100 watts, while maintaining a constant mounting surface temperature of 100°C. It offers a frequency range from DC to 2.5 GHz.



Dimensions in inches
Tolerance $\pm .010$
unless otherwise stated



DERATING CURVE:



Parameter	Min.	Typ.	Max.	Units
Frequency Range	DC		2.5	GHz
Input Return Loss	23			dB
Input Power			100	Watts
Resistance	47.5	50.0	52.5	Ohms
Mounting Surface Temperature			100	°C

Barry Industries reserves the right to change part number and or process without notification

Barry Industries, Inc., 60 Walton St., Attleboro, MA 02703 T: 508-226-3350 F: 508-226-3317 E-mail: sales@barryind.com
Barry Industries maintains an ISO 9001 Certified Quality Management System

Origination Date	Revision Date	Rev.
04/05/04	01/28/08	D