

ALUMINUM NITRIDE

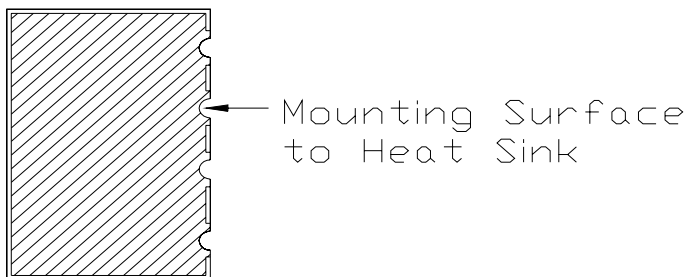
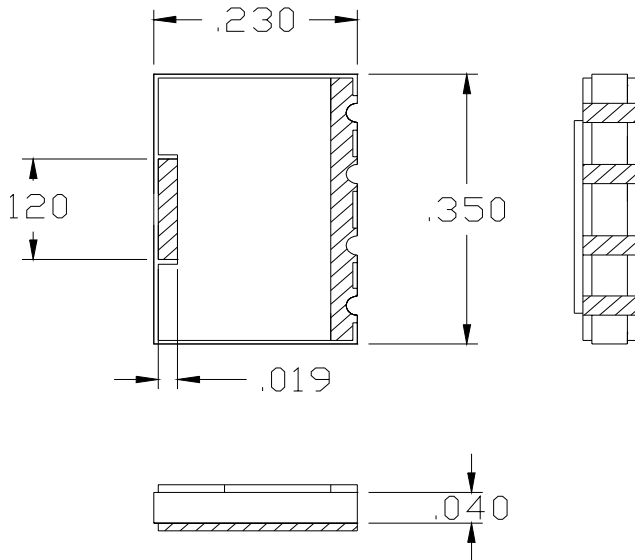
TERMINATION

Features:

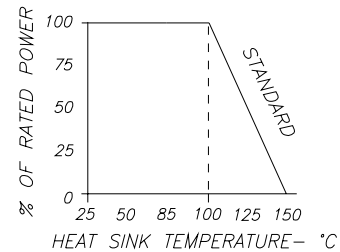
- ◆ ALN material
- ◆ DC- 4 GHz performance
- ◆ 100 Watt power handling
- ◆ Solder mount

General Description:

The TVC2335CT-50R0JN-2T-14 is a solder mountable termination capable of dissipating 100 Watts while maintaining a constant heat sink temperature of 100°C and a frequency range from DC-4 GHz.



DERATING CURVE:



Parameter	Min.	Typ.	Max.	Units
Frequency Range	DC		4	GHz
Power Dissipation			100	Watts
Input Return Loss	21			dB
Heat Sink Temperature			100	°C

* Barry Industries reserves the right to change part number and or process without notification

Barry Industries, Inc., 60 Walton St., Attleboro, MA 02703 T: 508-226-3350 F: 508-226-3317 E-mail: sales@barryind.com

Barry Industries maintains an ISO 9001 Certified Quality Management System

Origination Date	Revision Date	Rev.
11/21/06	11/21/06	-