



WWW.BARRYIND.COM

TVC2335CT-50R0JN-2T-05



ALUMINUM NITRIDE

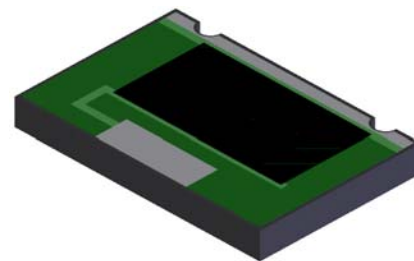
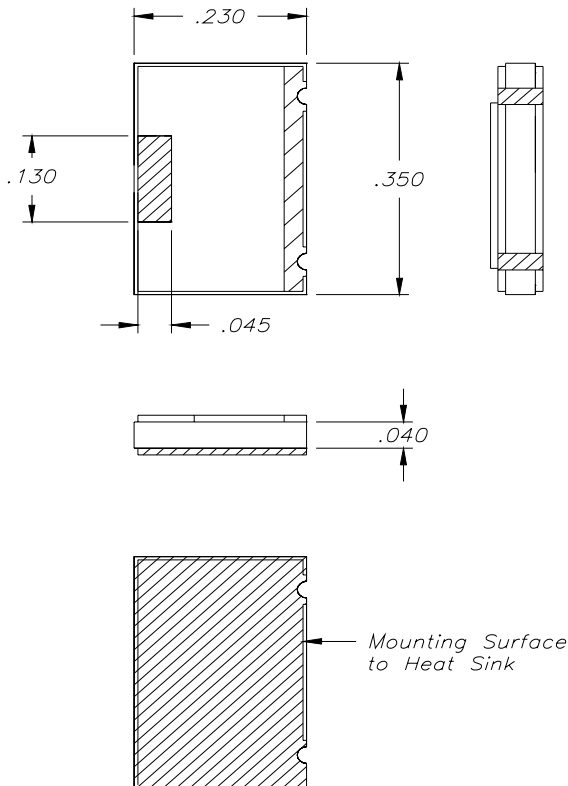
CHIP TERMINATION

Features:

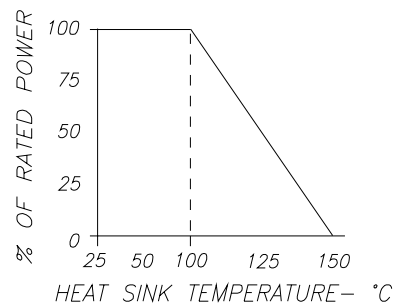
- ◆ Aluminum Nitride Material
- ◆ DC - 2.5 GHz Performance
- ◆ 150 Watt Input Power
- ◆ Solder Mountable

General Description:

The TVC2335CT-50R0JN-2T-05 is a 50 ohm, Aluminum Nitride chip termination. It has an input power of 150 watts, while maintaining a constant mounting surface temperature of 100°C. It offers a frequency range from DC to 2.5 GHz.



DERATING CURVE:



Dimensions in inches
Tolerance $\pm .010$
unless otherwise stated

Parameter	Min.	Typ.	Max.	Units
Frequency Range	DC		2.5	GHz
Input Power			150	Watts
Input Return Loss	23			dB
Resistance	47.5	50	52.5	Ohms
Mounting Surface Temperature			100	°C

Barry Industries reserves the right to change part number and or process without notification.

Barry Industries, Inc., 60 Walton St., Attleboro, MA 02703 T: 508-226-3350 F: 508-226-3317 E-mail: sales@barryind.com
Barry Industries maintains an ISO 9001 Certified Quality Management System

Origination Date	Revision Date	Rev.
02/06/04	04/18/08	E