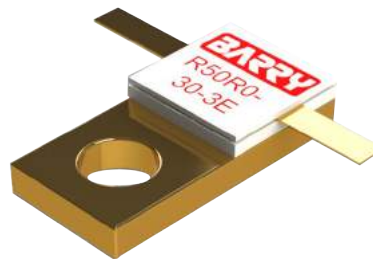


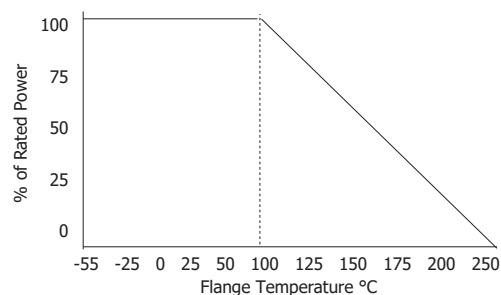
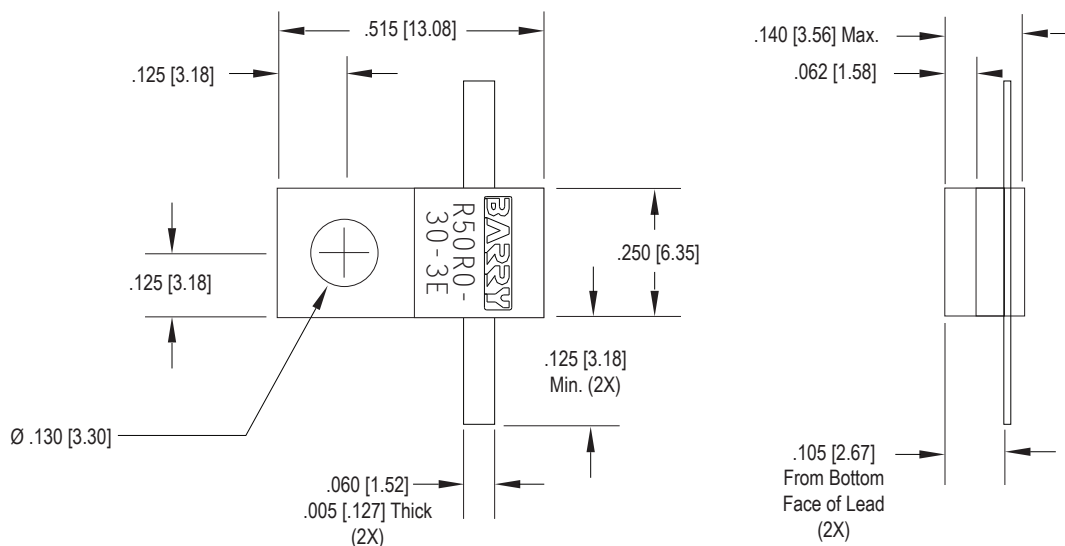
RXXXX-30-3E Features:

- TCE Matched, All Brazed Construction
- RoHS Compliant
- Customer Defined Testing Available
- Enhanced Mechanical Strength
- Covered Resistor Element
- ±5% Resistor Tolerance

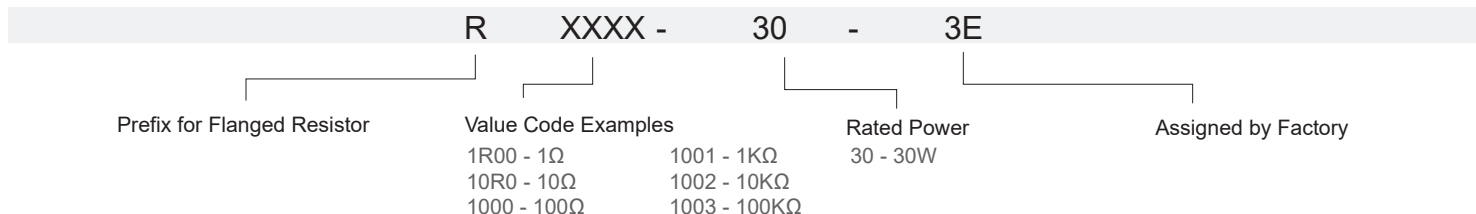

RXXXX-30-3E Parameters:

Rated Power:	30W*
Max. Rated Voltage:	500VDC
Capacitance (Typical):	2.28pF at 1MHz
Resistor Construction:	Thick Film on BeO Attached with AuGe Braze
Flange Construction:	Copper Tungsten
Lead Construction:	Copper Attached with AuGe Braze
Operating Temperature:	-55 to +250°C

* Rating based on ≤100°C constant flange temperature

RXXXX-30-3E Power Derating Curve

RXXXX-30-3E Dimensions:


Dimensions in inches [mm]
Tolerance is ± 0.010 [0.254]
unless otherwise stated

Ordering Information:
Example Part Number: R50R0-30-3E


Barry Industries reserves the right to change part number and/or process without notification.

ORIG.	REV.	No.
JAN 9 2006	FEB 1 2017	D
PAGE 1 OF 2		

RXXXX-30-3E Reliability Data:

Parameter:	Test Condition:	Results:
Short Time Overload	Apply 1.1x Rated Power for 5 Seconds.	≤ 2.0% Resistance Shift
Rated Load Life	Apply Full Power at 100°C ±2°C 90 Minutes on/ 30 Minutes off. Repeat for 1000 hours	≤ 2.0% Resistance Shift
Moisture Resistance	MIL-PRF-55342 para.4.8.9 95% RH, 25°C - 65°C	≤ 2.0% Resistance Shift
Resistance to Soldering Heat (Lead)	MIL-STD-202 Method 210 Test Condition "A"	≤ 2.0% Resistance Shift
Resistance to Soldering Heat (Assembly)	MIL-STD-202 Method 210 Test Condition "J"	≤ 2.0% Resistance Shift
Terminal Strength	MIL-STD-202 Method 211 Test Condition "A" 3lbs. Test Condition "B" 5 bends	No Significant Abnormality (Visual)
Solderability (Lead only)	MIL-STD-202 Method 208 Test C	>95% Covered
Insulation	Apply DC 500V for 1 Minute	>1000Mohm
High Temperature Storage	125°C ±2°C for 500 Hours	1.) ≤ 2.0% Resistance Shift 2.) No Significant Abnormality (Visual)
Thermal Shock	-65°C to +150°C Each Cycle 30 Minutes for 500 Hours	1.) ≤ 2.0% Resistance Shift 2.) No Significant Abnormality (Visual)

For further detail on the advantages of using TCE Matched Copper-Tungsten flange mount devices from Barry Industries please refer to the Application Note 'Finite Element Analysis of a High Power Resistor'. This document can be found on the Barry Industries website: www.barryind.com.

Barry Industries reserves the right to change part number and/or process without notification.