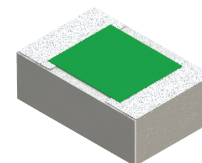


RY0805ZZ-XXXXJN-2S Features:

- Wraparound w/ Isolated Center Pad Configuration
- Solder or Epoxy Attachment
- Customer Defined Testing Available
- Tape & Reel or Waffle Pack Available (Standard is bulk)
- 5% Resistor Tolerance

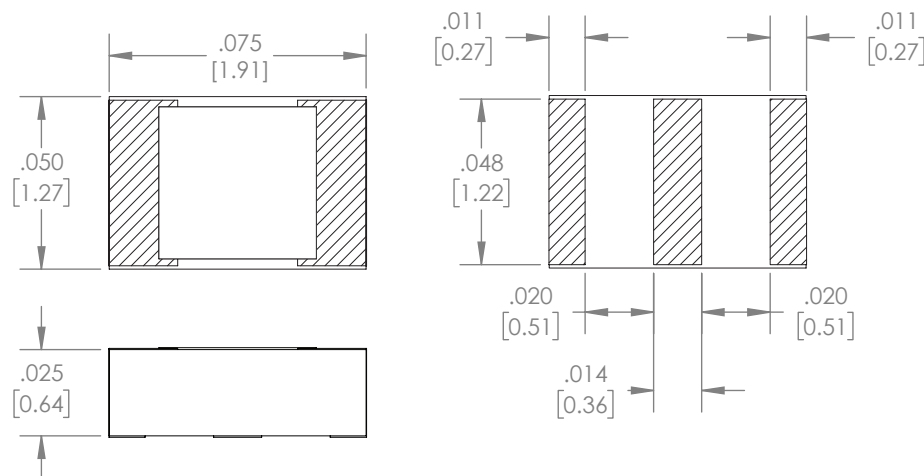


RY0805ZZ-XXXXJN-2S Parameters:

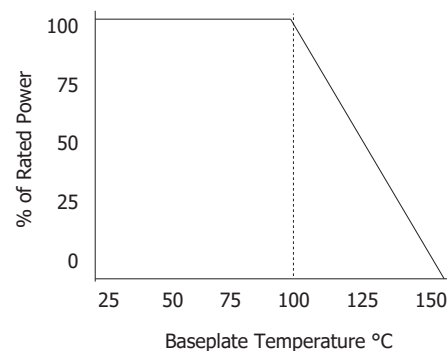
Resistance Range: 10Ω to 1KΩ
 Rated Power: 5W*
 Construction: Thick Film on AIN
 Operating Temperature: -55 to +150°C

* Rating based on ≤100°C constant baseplate temperature

RY0805ZZ-XXXXJN-2S Dimensions:



RY0805ZZ-XXXXJN-2S Power Derating Curve



Dimensions in inches [mm]
 Tolerance is ± 0.010 [0.254]
 unless otherwise stated

Ordering Information:

| | | | | | | | | |
|---|-------------|-----------|--|---------------------|---|----------|------------------------------|---|
| RY | 0805 | ZZ | - XXXX | J | N | - | 2S | UU |
| Prefix for Wraparound Resistor w/ Isolated Center Pad | | | Value Code Examples 10R0 - 10Ω 1500 - 150Ω 50R0 - 50Ω 5000 - 500Ω 1000 - 100Ω 1001 - 1KΩ | Tolerance J - 5% | Normal Inspection Contact factory for additional options | | Substrate 2S - 0.025" AIN | Packaging Blank - Bulk TR - Tape and Reel WP - Waffle Pack |
| Size 0805 | | | | | | | | |

Terminal Metallization

| | RoHS | Magnetic | Solder | Epoxy | Wirebond |
|---|------|----------|--------|-------|----------|
| CB - Sn62 Tin Lead over Nickel over Silver | No | Yes | Yes | No | No |
| CT - 100% Matte Tin over Nickel over Silver | Yes | Yes | Yes | No | No |
| BA - Palladium Silver | Yes | No | Yes | Yes | No |

Barry Industries reserves the right to change part number and/or process without notification.

RY0805ZZ-XXXXJN-2S Reliability Specifications:

| Parameter: | Test Condition: | Results: |
|--------------------------------|---|--|
| Short Time Overload | Apply 1.1x Rated Power for 5 Seconds. | ≤ 5.0% Resistance Shift |
| Rated Load Life | Apply 1/2 Power Under 40°C ±2°C 90 Minutes on/ 30 Minutes off. Repeat for 100 hours | ≤ 5.0% Resistance Shift |
| Moisture Resistance | MIL-PRF-55342 para 4.8.9 95% RH, 25°C - 65°C | ≤ 5.0% Resistance Shift |
| Resistance to Soldering Heat | MIL-STD-202 Method 210 and MIL-PRF-55342 Para 4.8.8.1 | ≤ 5.0% Resistance Shift |
| Resistance to Bonding Exposure | MIL-PRF-55342 Para 4.8.8.2 | ≤ 5.0% Resistance Shift |
| Solderability | MIL-PRF-55342 Para 4.8.12 | >95% Covered |
| High Temperature Storage | 125°C ±2°C for 500 Hours | 1.) ≤ 5.0% Resistance Shift 2.) No Significant Abnormality (Visual) |
| Thermal Shock | -65 to +125 30 Minutes Dwell, 5 Cycles | 1.) ≤ 5.0% Resistance Shift 2.) No Significant Abnormality (Visual) |

Barry Industries reserves the right to change part number and/or process without notification.

Barry Industries maintains an ISO9001 Certified Quality Management System.