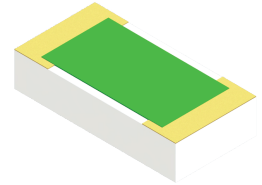


**RS1206ZZ-XXXXWN-93 Features:**

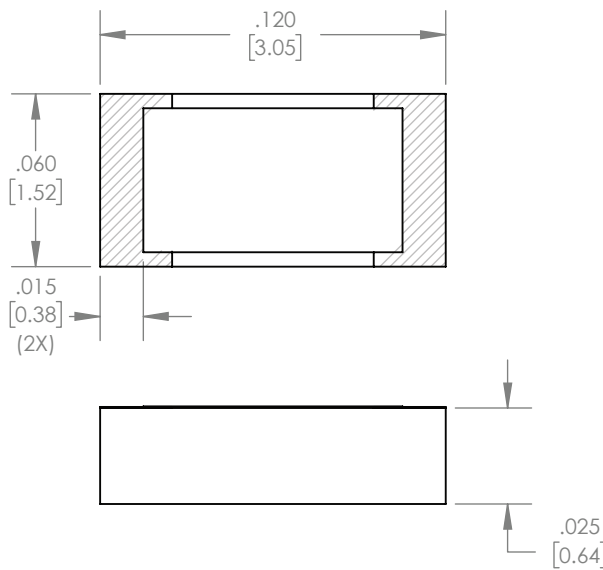
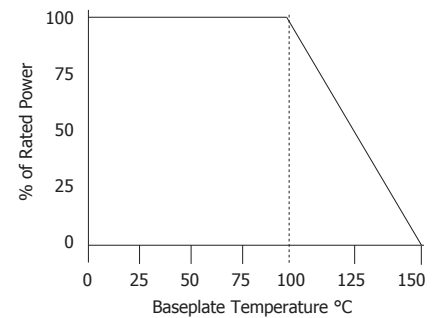
- Single-Sided (Flip-Chip) Terminal Configuration
- Solder, Epoxy or Wirebondable Terminals
- Customer Defined Testing Available
- RoHS Compliant or SnPb Available
- Non-Magnetic Available
- Tape & Reel (Film Side Down) and Waffle Pack Available (Standard is bulk)


**RS1206ZZ-XXXXWN-93 Parameters:**

|                        |   |
|------------------------|---|
| Resistance Range:      | 0.5Ω - 1MΩ  |
| Rated Power*:          | 350mW   |
| Construction:          | Thick Film on 0.025" Al <sub>2</sub> O <sub>3</sub> |
| Operating Temperature: | -55 to +150°C                                       |

\* Rating based on ≤100°C constant baseplate temperature

Actual Size

**RS1206ZZ-XXXXWN-93 Dimensions:**

**RS1206ZZ-XXXXWN-93  
Power Derating Curve**


Dimensions in inches [mm]  
Tolerance is ± 0.005 [0.13]  
unless otherwise stated

**Ordering Information:**
**Example Part Number: RS1206CT-50R0JN-93**

| RS   | 1206 | ZZ | - | XXXX         | W         | N   | -     | 93   | UU                |
|--|------|----|---|--------------|-----------|---|-------|--|-------------------|
| Prefix for Resistor w/<br>Single-Sided Terminals |      |    |   | Value Code   | Tolerance | Normal<br>Inspection<br>Contact factory for<br>additional options |       | Substrate                                  | Packaging         |
| Size   |      |    |   | 50R0 - 50Ω   | F - 1%    |   |       | 93 - 0.025" Al <sub>2</sub> O <sub>3</sub> | Blank - Bulk      |
| 1206   |      |    |   | 1000 - 100Ω  | G - 2%    |   |       |  | WP - Waffle Pack  |
|  |      |    |   | 1001 - 1KΩ   | J - 5%    |   |       |  | TRD - Tape & Reel |
|  |      |    |   | 1003 - 100KΩ |           |   |       |  |                   |
|  |      |    |   | 1004 - 1MΩ   |           |   |       |  |                   |
| Terminal Metallization                           |      |    |   | RoHS         | Magnetic  | Solder  | Epoxy | Wirebond                                   |                   |
| AS - Tin Lead over Platinum Palladium Gold       |      |    |   | No           | No        | Yes   | No    | No   |                   |
| CB - Tin Lead over Nickel over Silver            |      |    |   | No           | Yes       | Yes   | No    | No   |                   |
| CC - 100% Matte Tin over Copper over Silver      |      |    |   | Yes          | No        | Yes   | No    | No   |                   |
| CT - 100% Matte Tin over Nickel over Silver      |      |    |   | Yes          | Yes       | Yes   | No    | No   |                   |
| GA - Gold  |      |    |   | Yes          | No        | No  | Yes   | Yes  |                   |

Barry Industries reserves the right to change part number and/or process without notification.

**RS1206ZZ-XXXXWN-93 Reliability Specifications:**

| Parameter:                     | Test Condition:   | Results:  |
|--------------------------------|---|---|
| Short Time Overload            | Apply 1.1x Rated Power for 5 Seconds.   | ≤ 5.0% Resistance Shift   |
| Rated Load Life                | Apply 1/2 Power Under 40°C ±2°C<br>90 Minutes on/ 30 Minutes off.<br>Repeat for 100 hours | ≤ 5.0% Resistance Shift   |
| Moisture Resistance            | MIL-PRF-55342 para 4.8.9<br>95% RH, 25°C - 65°C   | ≤ 5.0% Resistance Shift   |
| Resistance to Soldering Heat   | MIL-STD-202 Method 210<br>and MIL-PRF-55342 Para 4.8.8.1                                  | ≤ 5.0% Resistance Shift   |
| Resistance to Bonding Exposure | MIL-PRF-55342 Para 4.8.8.2  | ≤ 5.0% Resistance Shift   |
| Solderability                  | MIL-PRF-55342 Para 4.8.12   | >95% Covered  |
| High Temperature Storage       | 125°C ±2°C for 500 Hours  | 1.) ≤ 5.0% Resistance Shift<br>2.) No Significant Abnormality<br>(Visual) |
| Thermal Shock                  | -65 to +125<br>30 Minutes Dwell, 5 Cycles   | 1.) ≤ 5.0% Resistance Shift<br>2.) No Significant Abnormality<br>(Visual) |

Barry Industries reserves the right to change part number and/or process without notification.