



WWW.BARRYIND.COM

RZ1005CB-XXXXJN-98

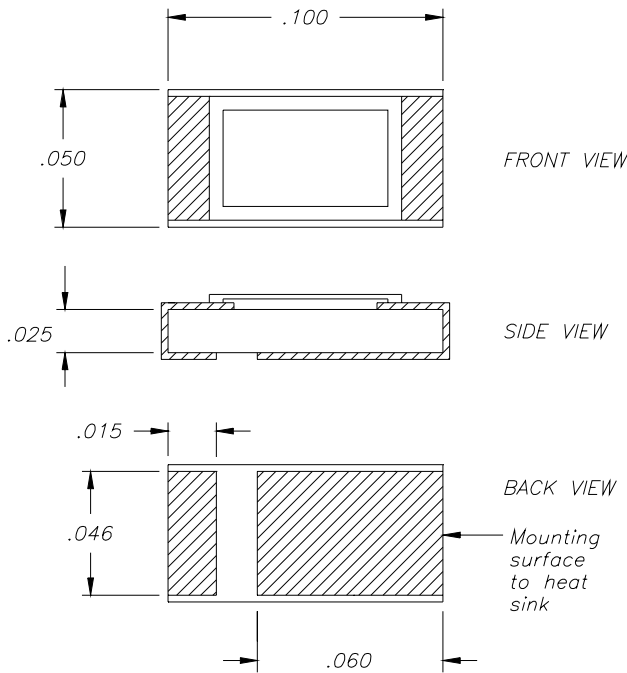
BeO SURFACE MOUNT RESISTOR

Features:

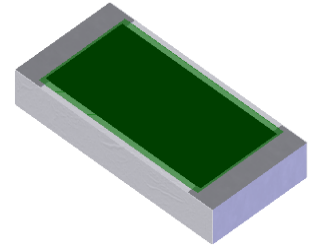
- ◆ BeO Material
- ◆ .5 to 1 Megohm Available
- ◆ CB-Tin Lead Over Nickel Over Silver
- ◆ Surface Mountable

General Description:

The RZ1005CB-XXXX*JN-98 is a BeO, 50 ohm standard surface mountable resistor (.5 to 1 Megohm available). Its compact design is ideal for miniature electronic assemblies.



Dimensions in inches
Tolerance ± .005
unless otherwise stated



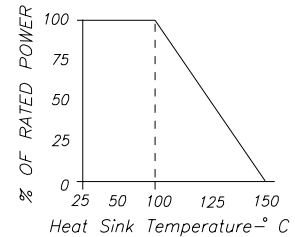
*XXXX

Ohms

- 0.5...R500
- 1.....1R00
- 10.....10R0
- 50.....50R0
- 100...1000
- 150...1500
- 1K.....1001
- 10K...1002
- 100K.1003
- 470K.4703
- 1M....1004

Sample part number:
RZ1005CB-50R0JN-98

DERATING CURVE:



Parameter	Min.	Typ.	Max.	Units
Input Power			8	Watts
Resistance		+/- 5%		Ohms
Mounting Surface Temperature			100	°C

Barry Industries reserves the right to change part number and or process without notification.

Barry Industries, Inc., 60 Walton St., Attleboro, MA 02703 T: 508-226-3350 F: 508-226-3317 E-mail: sales@barryind.com

Barry Industries maintains an ISO 9001 Certified Quality Management System

Origination Date	Revision Date	Rev.
04/13/04	04/11/08	A