



WWW.BARRYIND.COM

RYC2010CB-XXXX*JN-98

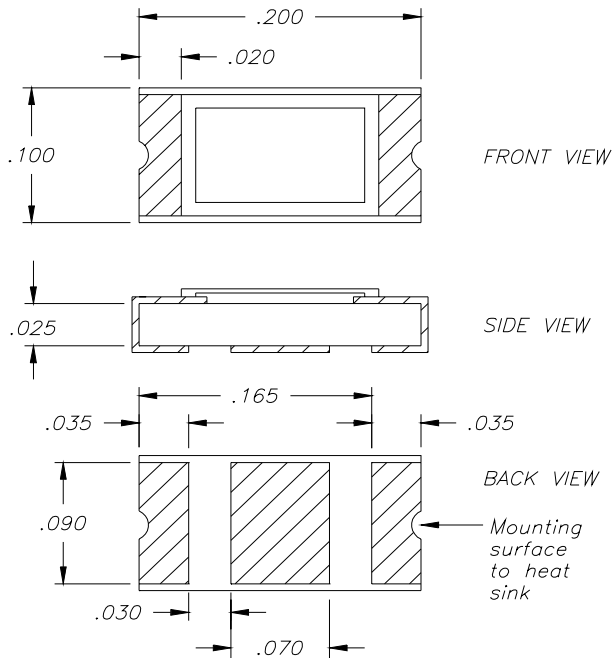
BeO SURFACE MOUNT RESISTOR

Features:

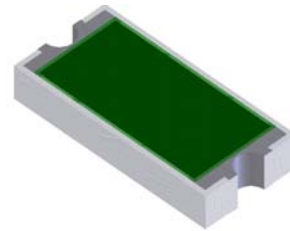
- ◆ BeO material
- ◆ 20 Watt input power
- ◆ Pre-Tinned
- ◆ Surface mountable

General Description:

The RYC2010CB-XXXX*JN-98 is a surface mountable BeO high power chip resistor. It offers an input power of 20 watts, while maintaining a mounting surface temperature of 100°C.



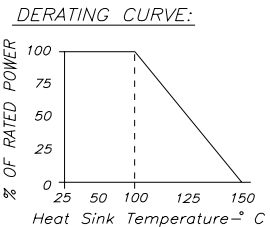
Dimensions in inches
 Tolerance ± .010
 unless otherwise stated



* XXXX = Resistance Value in Ohms

- Ohms
- 0.5....R500
 - 11R00
 - 10.....10R0
 - 50.....50R0
 - 100...1000
 - 150...1500
 - 1K.....1001
 - 10K...1002
 - 100K.1003
 - 470K.4703
 - 1M.....1004

Sample part number:
 RYC2010CB-50R0JN-98



Parameter	Min.	Typ.	Max.	Units
Input Power			20	Watts
Resistance		+/- 5%		Ohms
Mounting Surface Temperature			100	°C

* Barry Industries reserves the right to change part number and or process without notification

Barry Industries, Inc., 60 Walton St., Attleboro, MA 02703 T: 508-226-3350 F: 508-226-3317 E-mail: sales@barryind.com

Barry is ISO 9001:2000 Certified by



Origination Date	Revision Date	Rev.
9/17/07	9/17/07	-