



WWW.BARRYIND.COM

# RXXXX-150-8X



## BeO

## FLANGED RESISTOR

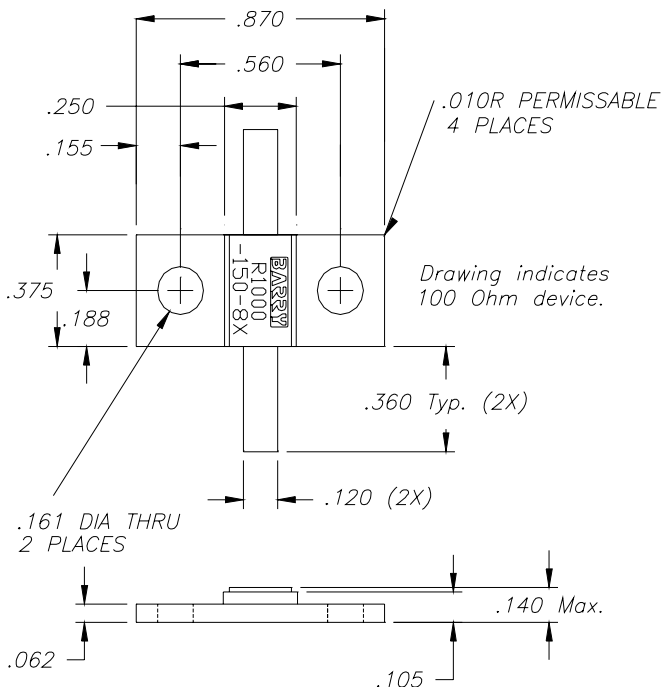
### Features:

- ◆ BeO material
- ◆ 150 Watt power handling
- ◆ Flange mount

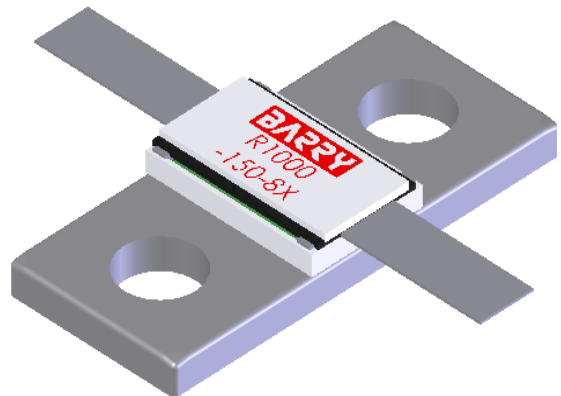
### General Description:

The RXXXX-150-8X is a flanged BeO resistor. It has an input power of 150 watts max, while maintaining a constant flange temperature of 100°C max. It has standard resistance values of 50 ohms and 100 ohms. For other values, please contact the factory.

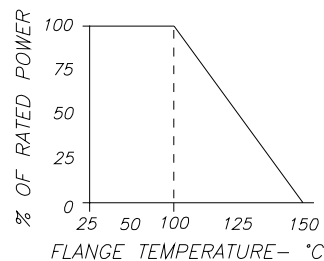
Example part number: R1000-150-8X = 100 Ohms  
R50R0-150-8X = 50 Ohms



Dimensions in inches  
Tolerance ± .010  
unless otherwise stated



DERATING CURVE:



Parameter	Min.	Typ.	Max.	Units
Input Power			150	Watts
Resistance		+/- 5%		Ohms
Flange Temperature			100	°C

Barry Industries reserves the right to change part number and or process without notification

Barry Industries, Inc., 60 Walton St., Attleboro, MA 02703 T: 508-226-3350 F: 508-226-3317 E-mail: sales@barryind.com

Barry Industries maintains an ISO 9001 Certified Quality Management System

Origination Date	Revision Date	Rev.
01/30/08	01/30/08	-