



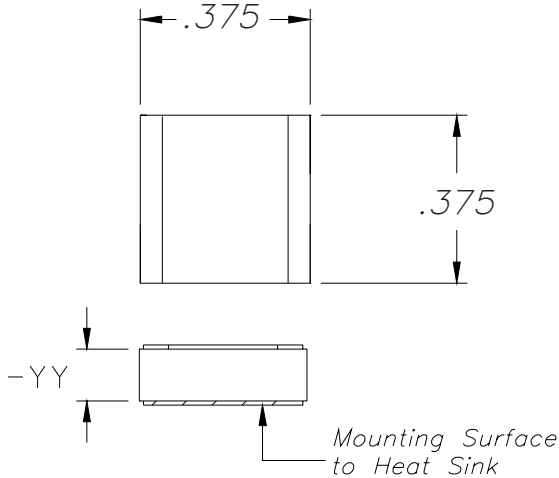
WWW.BARRYIND.COM

RM3737ZZ-XXXXWN-YY*

CHIP RESISTOR

Features:

- ◆ 250 Watt Input Power
- ◆ Flip Chip with Backpad Metallization
- ◆ Surface Mountable



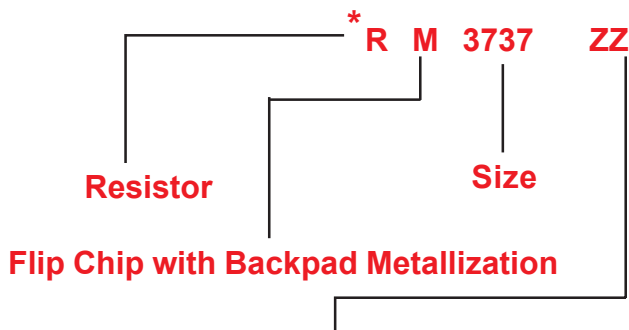
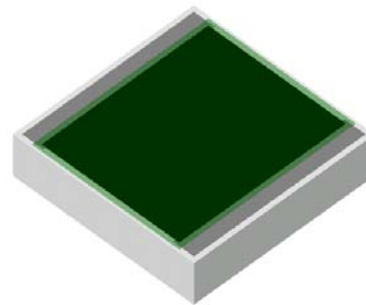
Dimensions in inches
Tolerance $\pm .010$ unless otherwise stated

General Description:

The RM3737ZZ-XXXXWN-YY* series is a flip chip resistor with backpad metallization. It has an input power of 250 watts, while maintaining a constant heat sink temperature of 100°C. It offers standard resistance values of 50 and 100 ohms. Other resistance values also available.

* See below for ordering options.

Sample Part Number:
RM3737CT-1000JN-99
(100 ohms)



Termination Material and Finish

CB - available on AlN & BeO:

Tin Lead over Nickel over Silver, Solder Mount, NOT RoHS

CT - available on AlN & BeO:

Matte Tin over Nickel over Silver, Solder Mount, **RoHS Compliant**

HA - available on BeO:

Gold over Platinum Gold, I/O with Platinum Gold Ground,

Epoxy Mount, Wire Bond(I/O), Solder (GND) **RoHS Compliant**

JA - available on BeO:

Gold over Platinum Gold, Epoxy Mount, Wire Bond, **RoHS Compliant**

Ohms	
0.5	R500
1	1R00
10	10R0
50	50R0
100	1000
150	1500
1K	1001
10K	1002
100K	1003
470K	4703
1M	1004

Tolerance

F - 1%

G - 2%

J - 5%

K - 10%

L - 20%

X = Special

Thickness and Material

-96..... .015" BeO

-98..... .025" BeO

-99..... .040" BeO

-9F..... .060" BeO

-2T..... .040" ALN

-2U..... .060" ALN

(Special circuit designs based on customer requirements may be assigned by Barry Engineering, i.e., 99-01, 9F-01; please contact factory with your requirements.)

Barry Industries reserves the right to change part number and or process without notification

Barry Industries, Inc., 60 Walton St., Attleboro, MA 02703 T: 508-226-3350 F: 508-226-3317 E-mail: sales@barryind.com

Barry Industries maintains an ISO 9001 Certified Quality Management System

Origination Date	Revision Date	Rev.
12/10/07	12/10/07	-