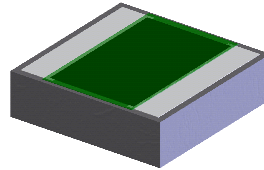


Aluminum Nitride Surface Mountable Resistor

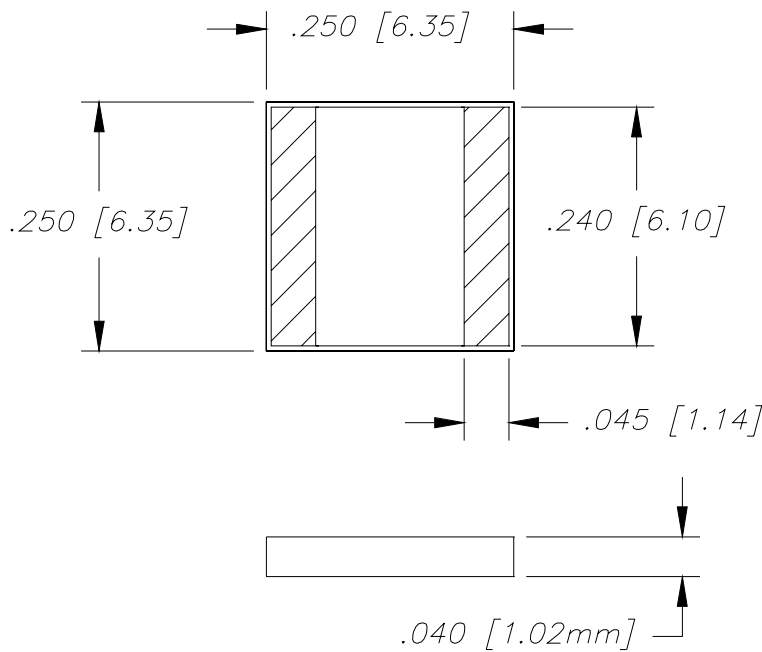
Features:

- ◆ AIN Material
- ◆ 50 Watt Input power
- ◆ Surface Mountable
- ◆ CT - Matte Tin over Nickel over Silver



General Description:

The RM2525CT-XXXX*JN-2T is a surface mountable chip resistor. It offers an input power of 50 Watts max while maintaining a mounting surface temperature of 100°C.



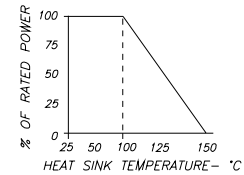
* XXXX = Resistance Value in Ohms

- Ohms
- 0.5....R500
 - 11R00
 - 10....10R0
 - 50....50R0
 - 100...1000
 - 1K....1001
 - 10K...1002
 - 1M...1004

Sample part number:
RM2525CT-50R0JN-2T

Tolerance $\pm .010$ [.254 mm]

DERATING CURVE:



Parameter	Min.	Typ.	Max.	Units
Input Power			50	Watts
Resistance		+/- 5%		Ohms
Mounting Surface Temperature			100	°C

* Barry Industries reserves the right to change part number and or process without notification

Barry Industries, Inc., 60 Walton St., Attleboro, MA 02703 T: 508-226-3350 F: 508-226-3317 E-mail: sales@barryind.com
Barry Industries maintains an ISO 9001 Certified Quality Management System

Origination Date	Revision Date	Rev.
6/23/06	6/23/06	-