



WWW.BARRYIND.COM

RM2335CT-1000GN-2T-05



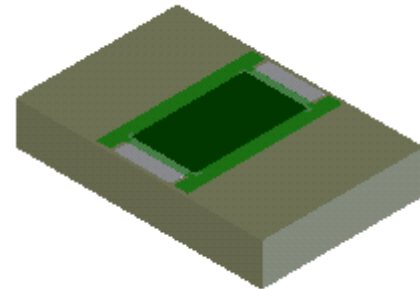
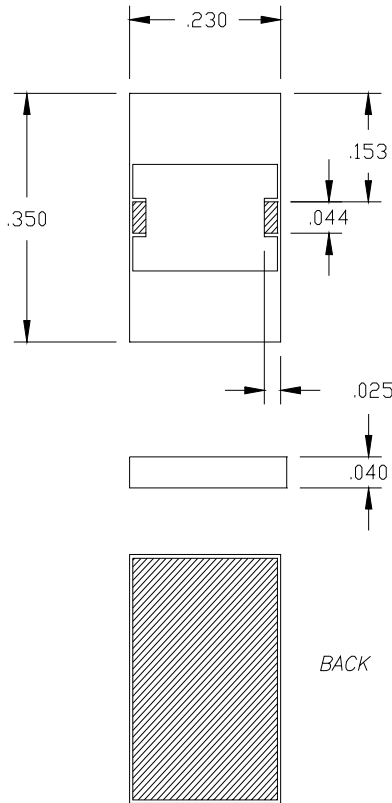
Aluminum Nitride 100 Ohm Chip Resistor

Features:

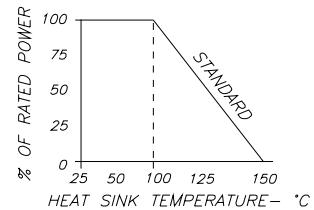
- ◆ AIN Material
- ◆ 50 Watt power handling
- ◆ CT - Matte Tin over Nickel over Silver

General Description:

The RM2335CT-1000GN-2T-05 is a solderable 100 Ohm chip resistor. It offers an input power of 50 Watts max while maintaining a mounting surface temperature of 100°C.



DERATING CURVE:



Parameter	Min.	Typ.	Max.	Units
Input Power			50	Watts
Resistance	98	100	102	Ohms
Capacitance (at 1 MHz)		1.34		pF
Mounting Surface Temperature			100	°C

* Barry Industries reserves the right to change part number and or process without notification

Barry Industries, Inc., 60 Walton St., Attleboro, MA 02703 T: 508-226-3350 F: 508-226-3317 E-mail: sales@barryind.com

Barry Industries maintains an ISO 9001 Certified Quality Management System

Origination Date	Revision Date	Rev.
03/29/07	03/29/07	-