

Aluminum Nitride

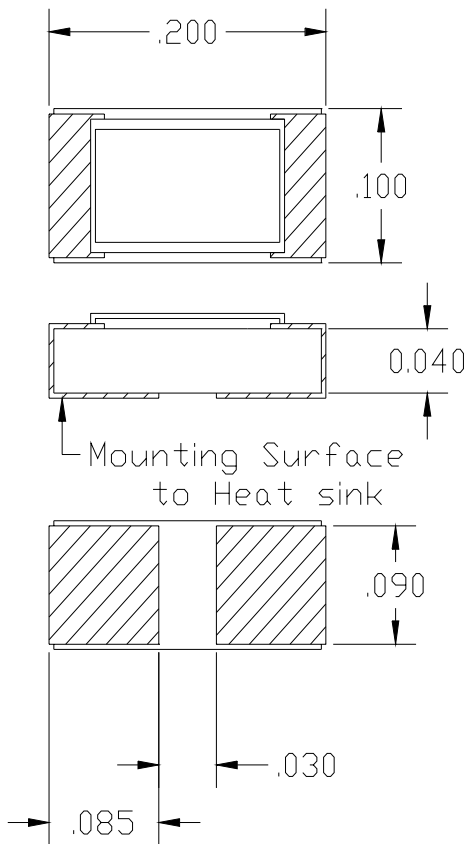
Surface Mount Resistor

Features:

- ◆ AIN material
- ◆ Surface Mount
- ◆ 20 Watt Power Handling

General Description:

The REC2010CT-XXXX*JN-2T is a 50 Ohm standard surface mountable high power chip resistor ideal for small assemblies with a power rating of 20 Watts while maintaining a constant heat sink temperature of 100°C.



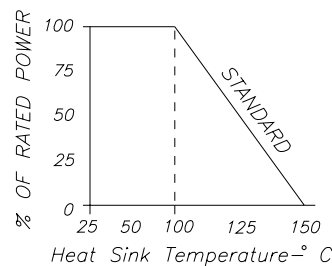
* XXXX = Resistance Value in Ohms
.5 - 1Mohm available

Ohms
0.5...R500
11R00
10.....10R0
50.....50R0
100...1000
150...1500
1K.....1001
10K...1002
100K.1003
470K.4703
1M....1004

Sample part number:
RE2010CT-50R0JN-2T



DERATING CURVE:



Parameter	Min.	Typ.	Max.	Units
Power Dissipation			20	WATTS
Heat Sink Temperature			100	°C