



WWW.BARRYIND.COM

REC1206CT-XXXXJN-2S



ALUMINUM NITRIDE

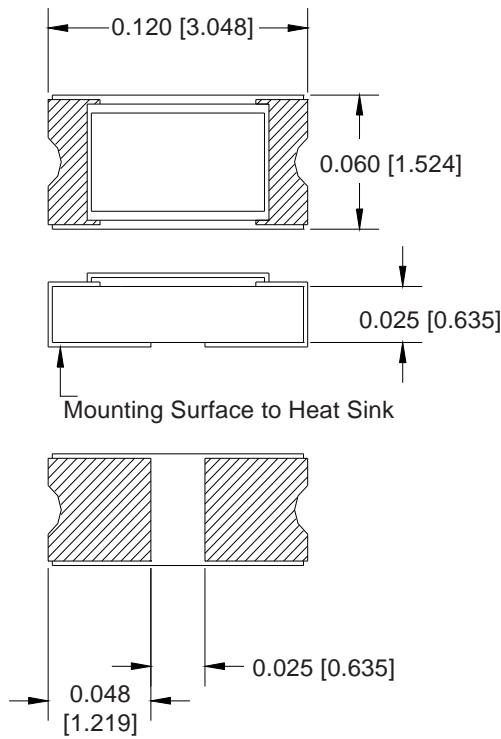
SURFACE MOUNT RESISTOR

Features:

- ◆ AIN Material
- ◆ CT - Matte Tin over Nickel over Silver
- ◆ 10 Watt Input Power
- ◆ Surface Mountable

General Description:

The REC1206CT-XXXX*JN-2S is a 50 ohm standard (10 - 1k ohm available) surface mountable high power chip resistor ideal for small assemblies. It offers an input power rating of 10 watts, while maintaining a constant mounting surface temperature of 100°C.



Metalized Areas =

Dimensions in inches [mm]
Tolerance +/- .005 [.127]
unless otherwise stated

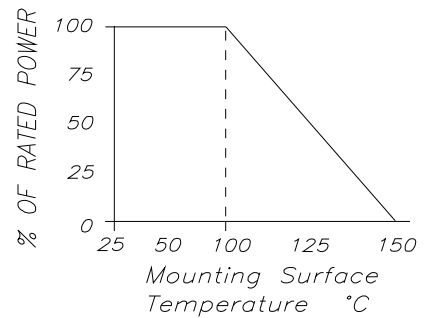
* XXXX = Resistance Value in Ohms

Ohms

- 10.....10R0
- 50.....50R0
- 100...1000
- 150...1500
- 1K.....1001

Sample part number:
RE1206CT-50R0JN-2S

DERATING CURVE:



Parameter	Min.	Typ.	Max.	Units
Input Power			10	Watts
Resistance		+/- 5%		Ohms
Operating Temperature	-55		150	°C
Mounting Surface Temperature			100 150 (0% Power)	°C

Barry Industries reserves the right to change part number and or process without notification

Barry Industries, Inc., 60 Walton St., Attleboro, MA 02703 T: 508-226-3350 F: 508-226-3317 E-mail: sales@barryind.com

Barry Industries maintains an ISO 9001 Certified Quality Management System

Org. Date	Rev. Date	Rev.
03/05/04	01/09/14	B