

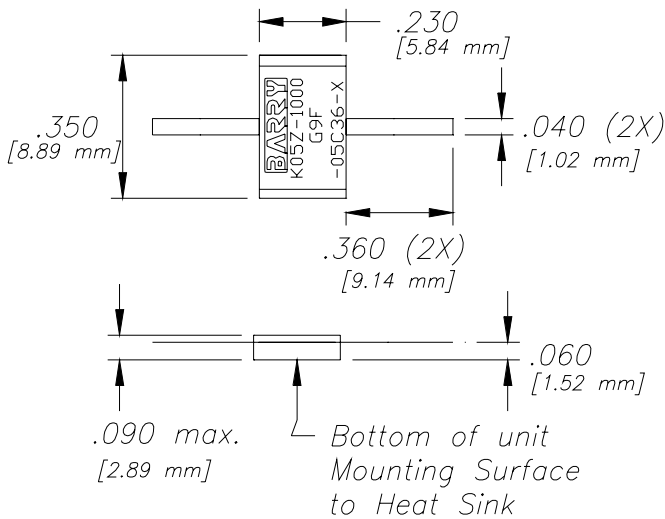
## BeO LEADED RESISTOR

### Features:

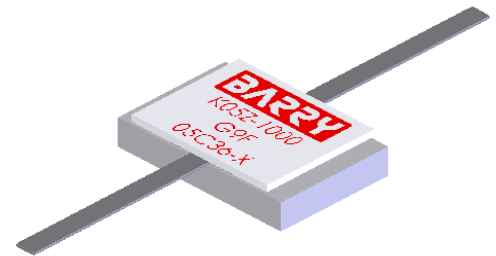
- ◆ BeO Material
- ◆ 100 Watt Input Power
- ◆ Surface Mountable

### General Description:

The K05Z-XXXX\*G9F-05C36-X is a leaded BeO chip resistor. It offers an input power of 100 watts, while maintaining a constant mounting surface temperature of 100°C.



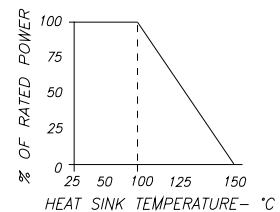
Dimensions in inches  
Tolerance  $\pm .010$  [.254 mm]  
Part number shown  
is for a 100Ω device



- \* XXXX
- Ohms
- 0.5....R500
  - 1.....1R00
  - 10....10R0
  - 50....50R0
  - 100...1000
  - 150...1500
  - 1K....1001
  - 10K...1002
  - 100K.1003
  - 470K.4703
  - 1M....1004

Sample Part Number:  
K05Z-1000G9F-05C36-X  
(100 Ohms)

DERATING CURVE:



Parameter	Min.	Typ.	Max.	Units
Input Power			100	Watts
Resistance		+/- 2%		Ohms
Capacitance at 1 MHz		1.00		pF
Mounting Surface Temperature			100	°C

Barry Industries reserves the right to change part number and or process without notification.

Barry Industries, Inc., 60 Walton St., Attleboro, MA 02703 T: 508-226-3350 F: 508-226-3317 E-mail: sales@barryind.com

Barry Industries maintains an ISO 9001 Certified Quality Management System

Origination Date	Revision Date	Rev.
06/13/08	06/13/08	-