



WWW.BARRYIND.COM

# H05Z-3000J2T-17C36-X



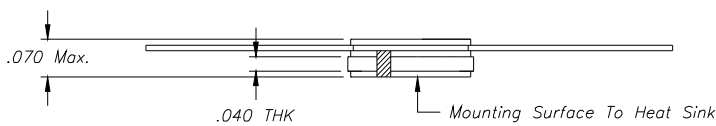
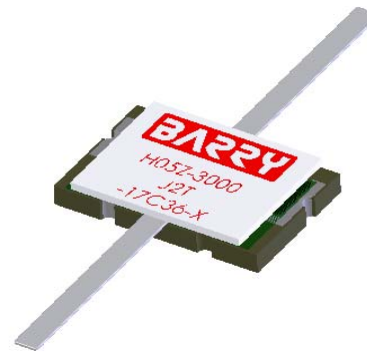
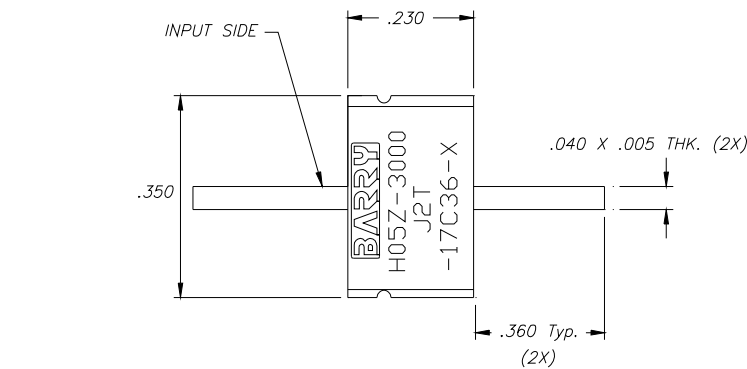
## Aluminum Nitride 30dB LEADED ATTENUATOR

### Features:

- ◆ Aluminum Nitride Material
- ◆ DC - 2.5 GHz Performance
- ◆ 150 Watt Input Power
- ◆ Solder Mountable

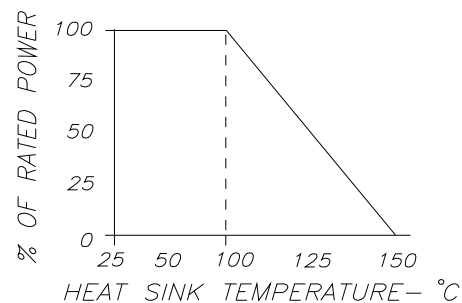
### General Description:

The H05Z-3000J2T-17C36-X is a leaded, 30 dB Aluminum Nitride attenuator. It has an input power of 150 watts, while maintaining a constant mounting surface temperature of 100°C. It offers a frequency range from DC to 2.5 GHz.



Dimensions in inches  
Tolerance  $\pm .010$   
unless otherwise stated

### DERATING CURVE:



Parameter	Min.	Typ.	Max.	Units
Frequency Range	DC		2.5	GHz
Attenuation	29	30	31	dB
Input Return Loss	18			dB
Output Return Loss	25			dB
Power (input)			150	Watts
Reverse Power (output)			2	Watts
Mounting Surface Temperature			100	°C

Barry Industries reserves the right to change part number and or process without notification.

Barry Industries, Inc., 60 Walton St., Attleboro, MA 02703 T: 508-226-3350 F: 508-226-3317 E-mail: sales@barryind.com

Barry is ISO 9001:2000 Certified by



Origination Date	Revision Date	Rev.
08/20/08	08/20/08	-