



WWW.BARRYIND.COM

AVC2525CB-0500JN-99

BeO

5 dB

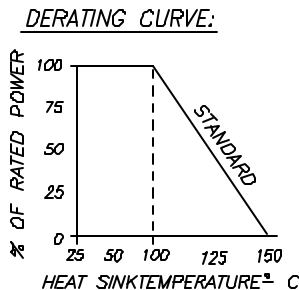
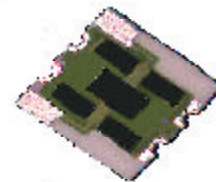
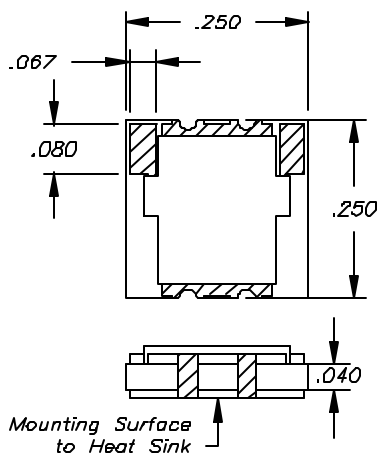
ATTENUATOR

Features:

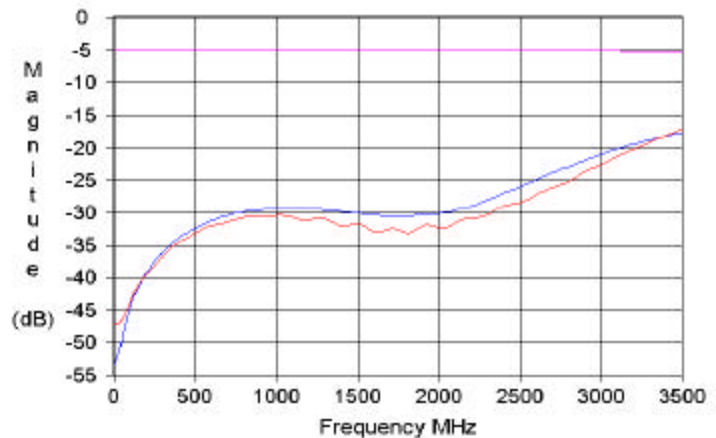
- ◆ BeO material
- ◆ DC to 3.5 GHz
- ◆ 40 Watt Power Rating
- ◆ Input and Output pads offset from center

General Description:

The AVC2525CB-0500JN-99 is a BeO 5 dB single slope attenuator with a frequency range up to 3.5 GHz. It has a power rating of 40 Watts while maintaining a heat sink temperature of 100°C and is solder mountable. This chip offers an input and output pad offset from center line of chip to allow for assembly on off center devices.



dB[S11] ○
 dB[S21] ○
 dB[S22] ○



| Parameter | Min. | Typ. | Max | Units |
|-----------------------|------|------|-----|-------|
| Frequency Range | DC | | 3.5 | GHz |
| Attenuation Flatness | | ±.5 | | dB |
| Input Return Loss | 17 | | | dB |
| Output Return Loss | 17 | | | dB |
| Power Dissipation | | | 40 | Watts |
| Heat Sink Temperature | | | 100 | °C |

Barry Industries, Inc., 60 Walton St., Attleboro, MA 02703 T: 508-226-3350 F: 508-226-3317 E-mail: sales@barryind.com
 Barry Industries maintains an ISO 9001 Certified Quality Management System

| DATE | REV. |
|---------|------|
| 9/17/04 | - |