

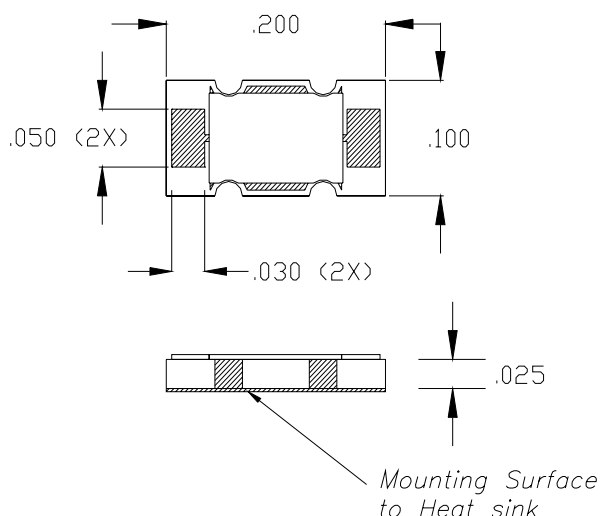
## BeO CHIP ATTENUATOR

### Features:

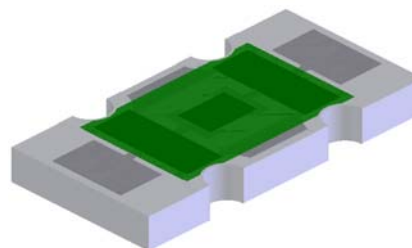
- ◆ BeO Material
- ◆ DC - 4 GHz Performance
- ◆ 10 Watt Input Power
- ◆ CT = Matte Tin over Nickel over Silver
- ◆ Solder Mountable

### General Description:

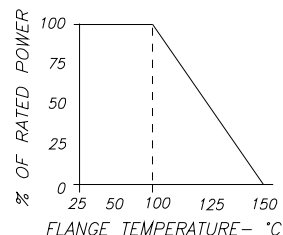
The ABC2010CT-0050JN-98 is a 1/2 dB BeO chip attenuator. It offers an input power of 10 watts while maintaining a constant mounting surface temperature of 100°C. It has a frequency range from DC- 4 GHz.



*Dimensions in inches  
Tolerance ± .010 unless  
otherwise stated*



DERATING CURVE:



Parameter	Min.	Typ.	Max.	Units
Frequency Range	DC		4	GHz
Input Power			10	Watts
Input Return Loss	16			dB
Output Return Loss	16			dB
Attenuation		.50	1.50	dB
Mounting Surface Temperature			100	°C

**Barry Industries reserves the right to change part number and or process without notification.**

Barry Industries, Inc., 60 Walton St., Attleboro, MA 02703 T: 508-226-3350 F: 508-226-3317 E-mail: sales@barryind.com

Barry Industries maintains an ISO 9001 Certified Quality Management System

Origination Date	Revision Date	Rev.
07/17/08	07/17/08	-