



WWW.BARRYIND.COM

AA0600-20-3X



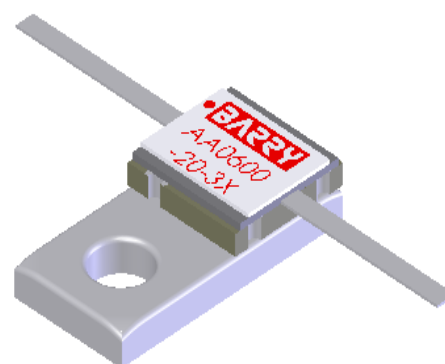
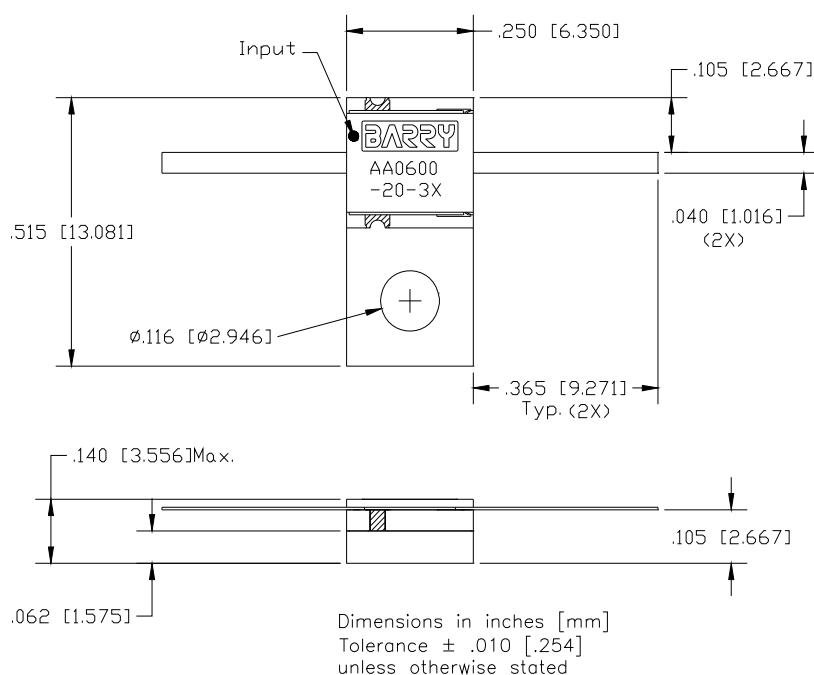
Aluminum Nitride 6 dB FLANGED ATTENUATOR

Features:

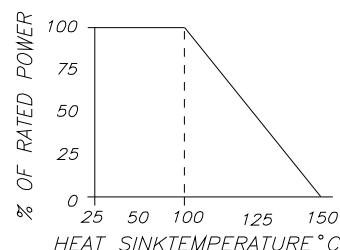
- ◆ Aluminum Nitride Material
- ◆ DC - 6 GHz Performance
- ◆ 20 Watt Input Power
- ◆ Flange Mount

General Description:

The AA0600-20-3X is a flanged 6 dB, Aluminum Nitride attenuator. It has an input power of 20 watts, while maintaining a constant flange temperature of 100°C. It offers a frequency range from DC to 6 GHz.



DERATING CURVE:



Parameter	Min.	Typ.	Max	Units
Frequency Range	DC		6	GHz
Attenuation Flatness	5	6	7	dB
Input Return Loss	17			dB
Output Return Loss	17			dB
Input Power			20	Watts
Flange Temperature			100	°C

Barry Industries reserves the right to change part number and or process without notification.

Barry Industries, Inc., 60 Walton St., Attleboro, MA 02703 T: 508-226-3350 F: 508-226-3317 E-mail: sales@barryind.com

Barry Industries maintains an ISO 9001 Certified Quality Management System

Origination Date	Revision Date	Rev.
01/29/09	01/29/09	-