

BeO

30 dB

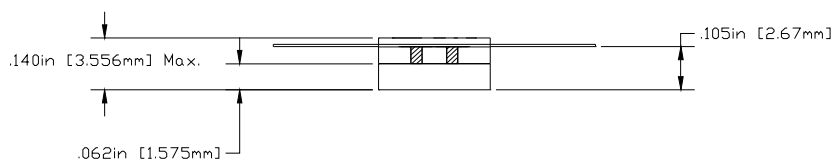
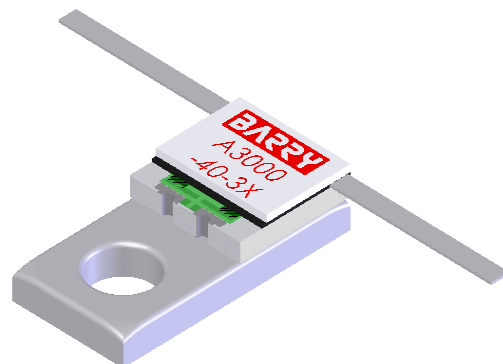
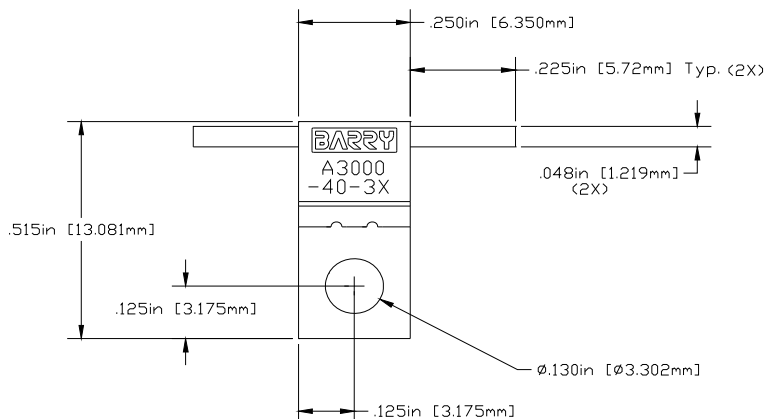
FLANGED ATTENUATOR

Features:

- ◆ BeO Material
- ◆ DC - 500 MHz Performance
- ◆ 40 Watt Input Power
- ◆ Flange Mount

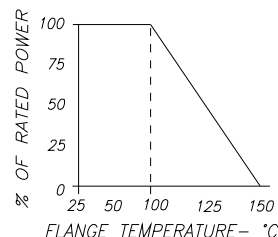
General Description:

The A3000-40-3X is a flanged 30 dB, BeO attenuator. It has an input power of 40 watts, while maintaining a constant flange temperature of 100°C. It offers a frequency range from DC to 500 MHz.



Dimensions in inches [mm]
Tolerance \pm .010 [.254]
unless otherwise stated
UNIT CAN BE MOUNTED IN EITHER DIRECTION

DERATING CURVE:



Parameter	Min.	Typ.	Max.	Units
Frequency Range	DC		500	MHz
Input Return Loss	32			dB
Output Return Loss	32			dB
Input Power			40	Watts
Flange Temperature			100	°C
Attenuation	29	30	31	dB

Barry Industries reserves the right to change part number and or process without notification.

Barry Industries, Inc., 60 Walton St., Attleboro, MA 02703 T: 508-226-3350 F: 508-226-3317 E-mail: sales@barryind.com

Barry Industries maintains an ISO 9001 Certified Quality Management System

Origination Date	Revision Date	Rev.
10/08/08	10/22/08	A