



WWW.BARRYIND.COM

# A2000-20-3X



BeO

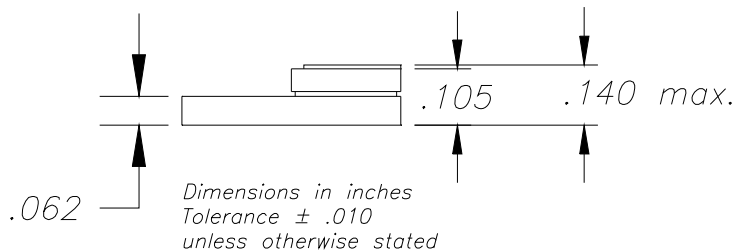
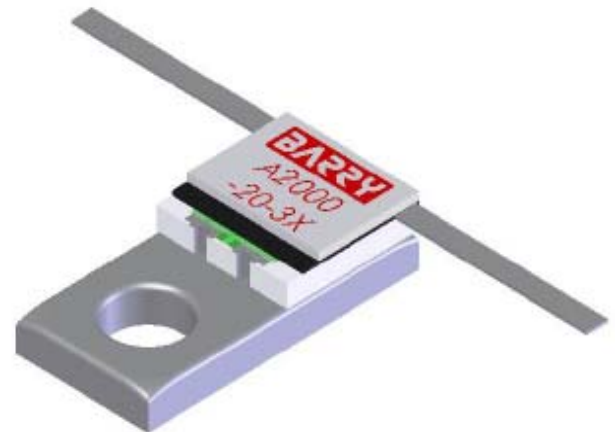
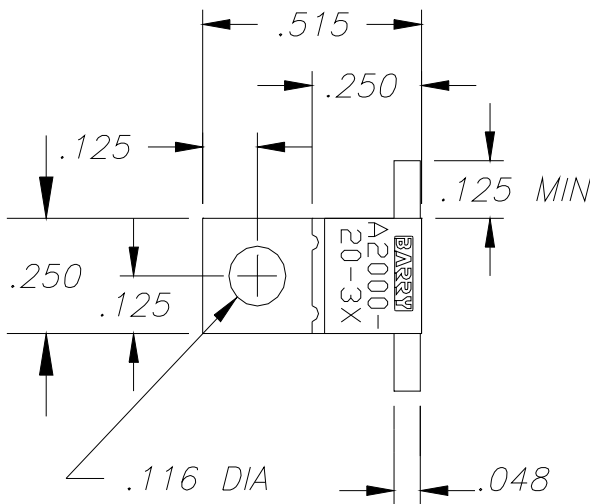
## FLANGED ATTENUATOR

### Features:

- ◆ BeO Material
- ◆ DC - 2.5 GHz Performance
- ◆ 20 Watt Input Power
- ◆ Flange Mount

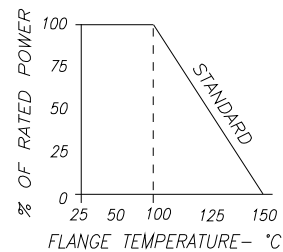
### General Description:

The A2000-20-3X is a flanged 20 dB, BeO attenuator. It has an input power of 20 watts, while maintaining a constant flange temperature of 100°C. It offers a frequency range from DC to 2.5 GHz.



*Either terminal can be used for input*

DERATING CURVE:



Parameter	Min.	Typ.	Max.	Units
Frequency Range	DC		2.5	GHz
Input Return Loss	22			dB
Output Return Loss	22			dB
Input Power			20	Watts
Flange Temperature			100	°C
Attenuation	19	20	21	dB

Barry Industries reserves the right to change part number and or process without notification.

Barry Industries, Inc., 60 Walton St., Attleboro, MA 02703 T: 508-226-3350 F: 508-226-3317 E-mail: sales@barryind.com

Barry Industries maintains an ISO 9001 Certified Quality Management System

Origination Date	Revision Date	Rev.
03/29/07	06/01/10	C