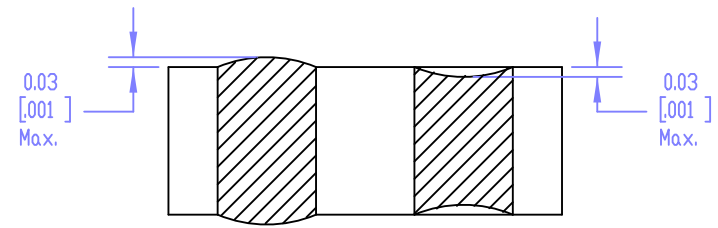
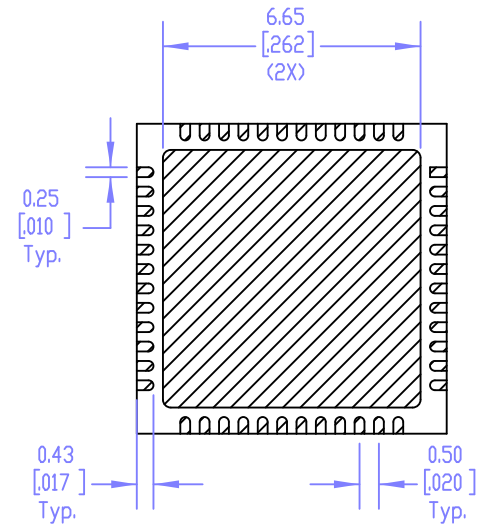
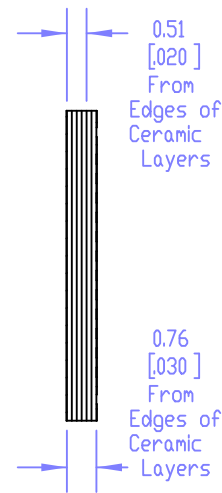
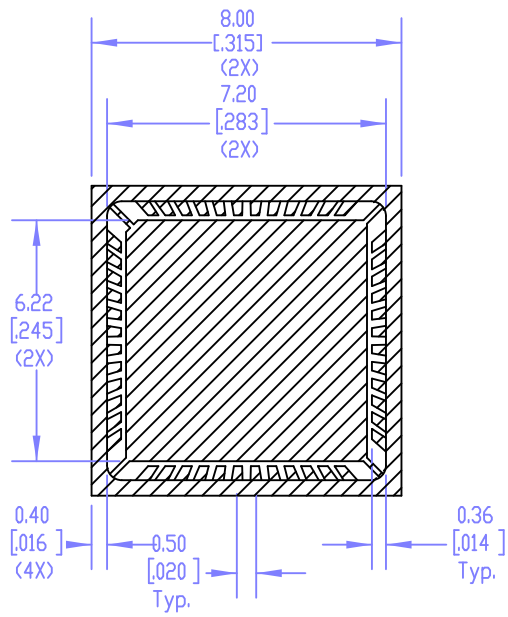
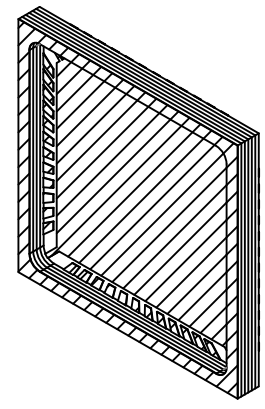


Revisions	ECO #	
	Approved	
	Date	
	Description	
Rev		



Via Planarity (not to scale)



Drawn	Date
R. HUOT	DEC 22 2016
Engineering	Date
Q.A.	Date
Manufacturing	Date
Released	Date

UNLESS OTHERWISE SPECIFIED: DIMENSIONS ARE IN MILLIMETERS.	
TOLERANCES ON DECIMALS	ON ANGLES
.X ± .25	± .5°
.XX ± .10	
.XXX ± .050	
.XXXX ± .0100	
Material AlN	CODE IDENT NO. 6P825
Finish	

BARRY
 60 WALTON ST.
 ATTLEBORO, MA. 02703
 (508) 226-3350
 www.barryind.com

Scale 5:1
 Drawing Size A

Title 8mm - 48 Pin QFN - Grounded Seal Ring	
Drawing No. QFN-8848-0721	Revision B
Used On	Qty.
	Sheet 1 of 1