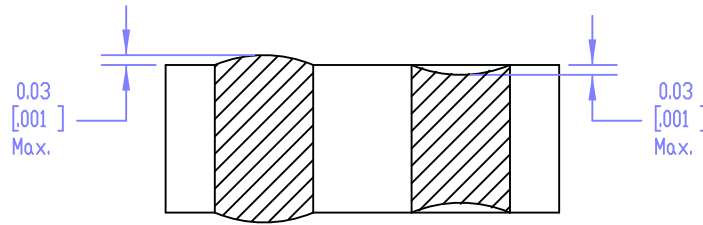
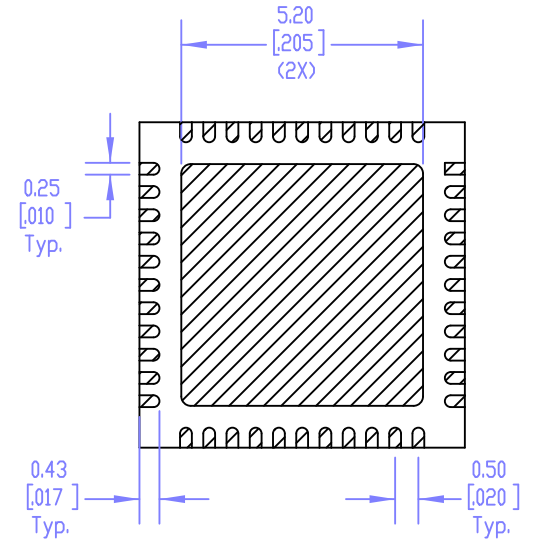
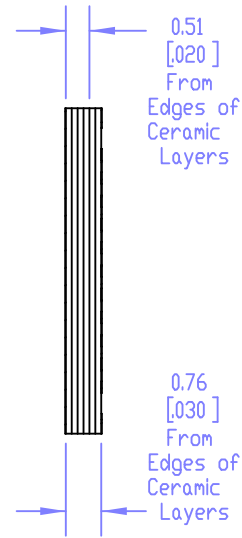
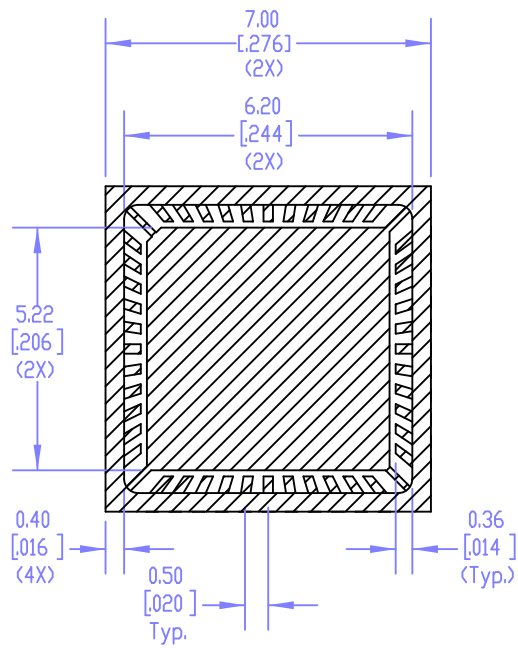
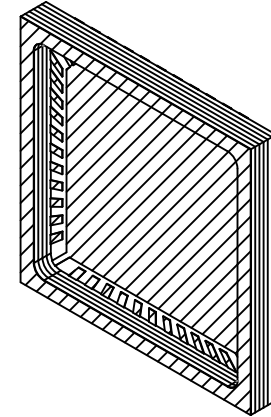



Revisions	ECO #	
	Approved	
	Date	
	Description	
Rev		



Via Planarity (not to scale)



Drawn R. HUOT	Date JAN 4 2017	UNLESS OTHERWISE SPECIFIED: DIMENSIONS ARE IN MILLIMETERS.		 60 WALTON ST. ATTLEBORO, MA. 02703 (508) 226-3350 www.barryind.com	Title 7mm - 44 Pin QFN - Grounded Seal Ring	
Engineering	Date	TOLERANCES ON DECIMALS	ON ANGLES		Drawing No. QFN-7744-0721	Revision B
Q.A.	Date	.X ± .25	± .5°			
Manufacturing	Date	.XX ± .10			Material AlN	Used On
Released	Date	.XXX ± .050		Finish		
		.XXX ± .050	CODE IDENT NO. 6P825	Scale 6:1		
		.XXXX ± .0100		Drawing Size A		