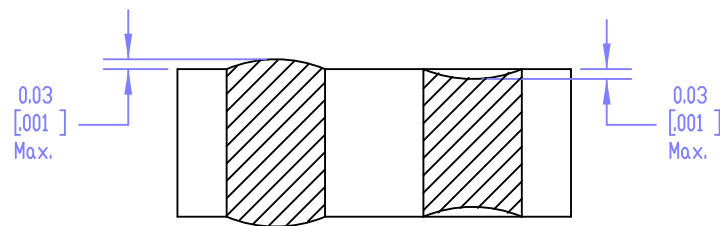
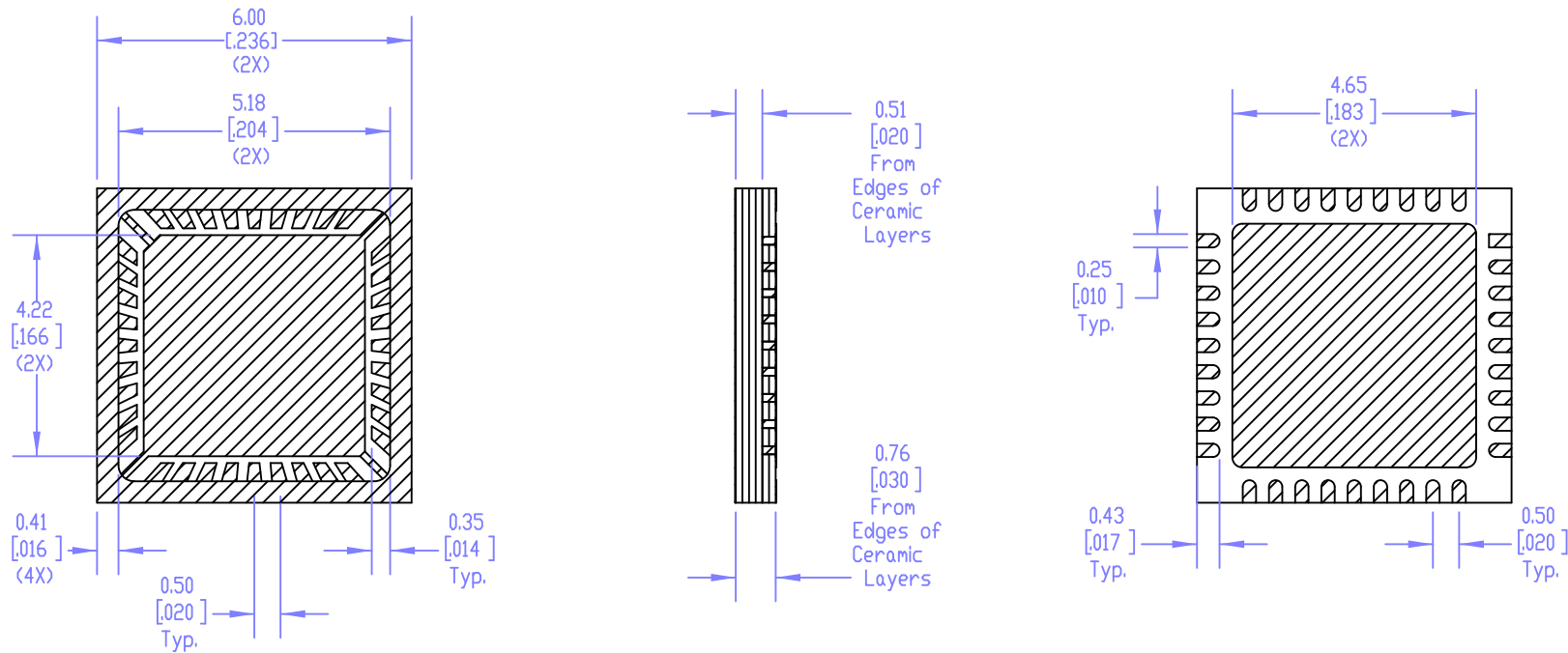
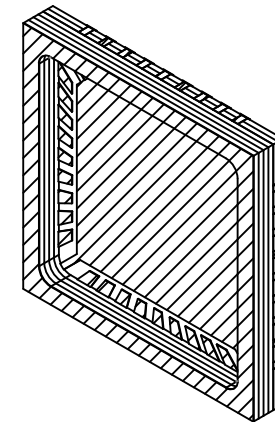



Revisions	ECO #	
	Approved	
	Date	
	Description	
Rev		



Via Planarity (not to scale)



Drawn R. HUOT	Date JAN 4 2016	UNLESS OTHERWISE SPECIFIED: DIMENSIONS ARE IN MILLIMETERS.		 60 WALTON ST. ATTLEBORO, MA. 02703 (508) 226-3350 www.barryind.com	Title 6mm QFN - 36 Pin - Grounded Seal Ring w/ Castellations	
Engineering	Date	TOLERANCES ON DECIMALS	ON ANGLES		Drawing No. QFN-6636-0722	
Q.A.	Date	.X ± .25	± .5°		Revision B	
Manufacturing	Date	.XX ± .10			Material AlN	Used On
Released	Date	.XXX ± .050		Finish		Qty.
		.XXX ± .0100	CODE IDENT NO. 6P825		Scale 6:1	
				Drawing Size A		