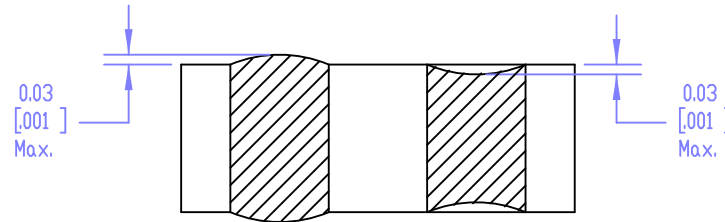
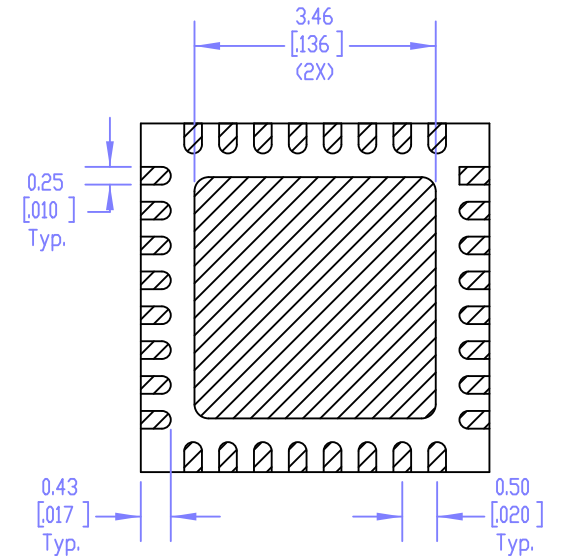
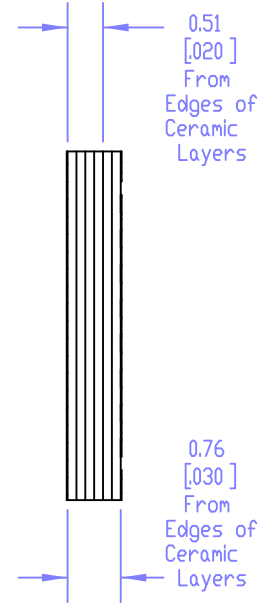
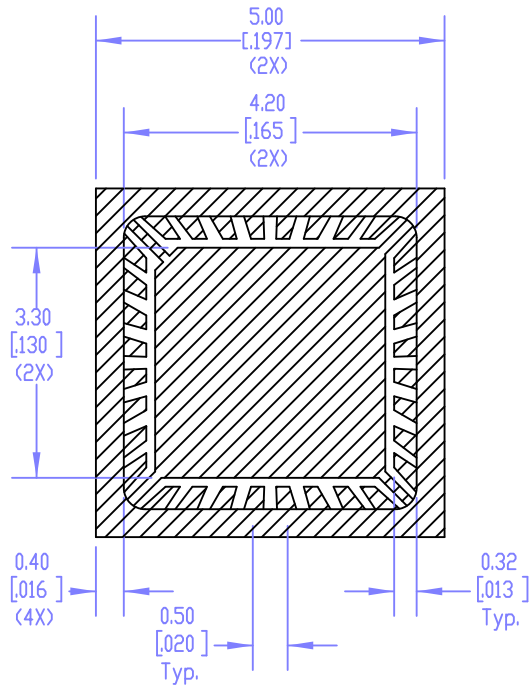
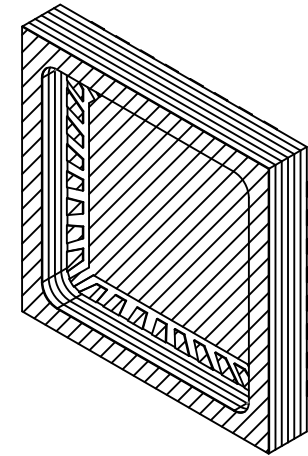



Revisions	ECO #	
	Approved	
	Date	
	Description	
Rev		



Via Planarity (not to scale)



Drawn R. HUOT	Date JAN 4 2017	UNLESS OTHERWISE SPECIFIED: DIMENSIONS ARE IN MILLIMETERS.		 60 WALTON ST. ATTLEBORO, MA. 02703 (508) 226-3350 www.barryind.com	Title 7mm - 32 Pin QFN - Grounded Seal Ring		
Engineering	Date	TOLERANCES ON DECIMALS	ON ANGLES		Drawing No. QFN-5532-0721	Revision B	
Q.A.	Date	.X ± .25	± .5°				
Manufacturing	Date	.XX ± .10			Material AlN	CODE IDENT NO. 6P825	Used On
		.XXX ± .050		Finish			
Released	Date	.XXXX ± .0100	Scale 9:1		Sheet 1 of 1		
		Drawing Size A					