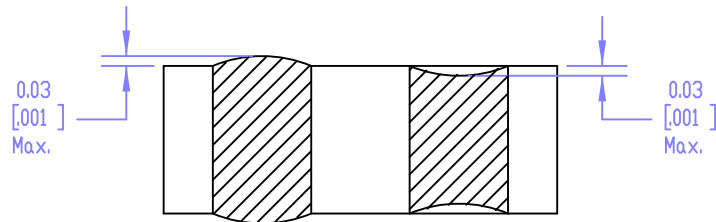
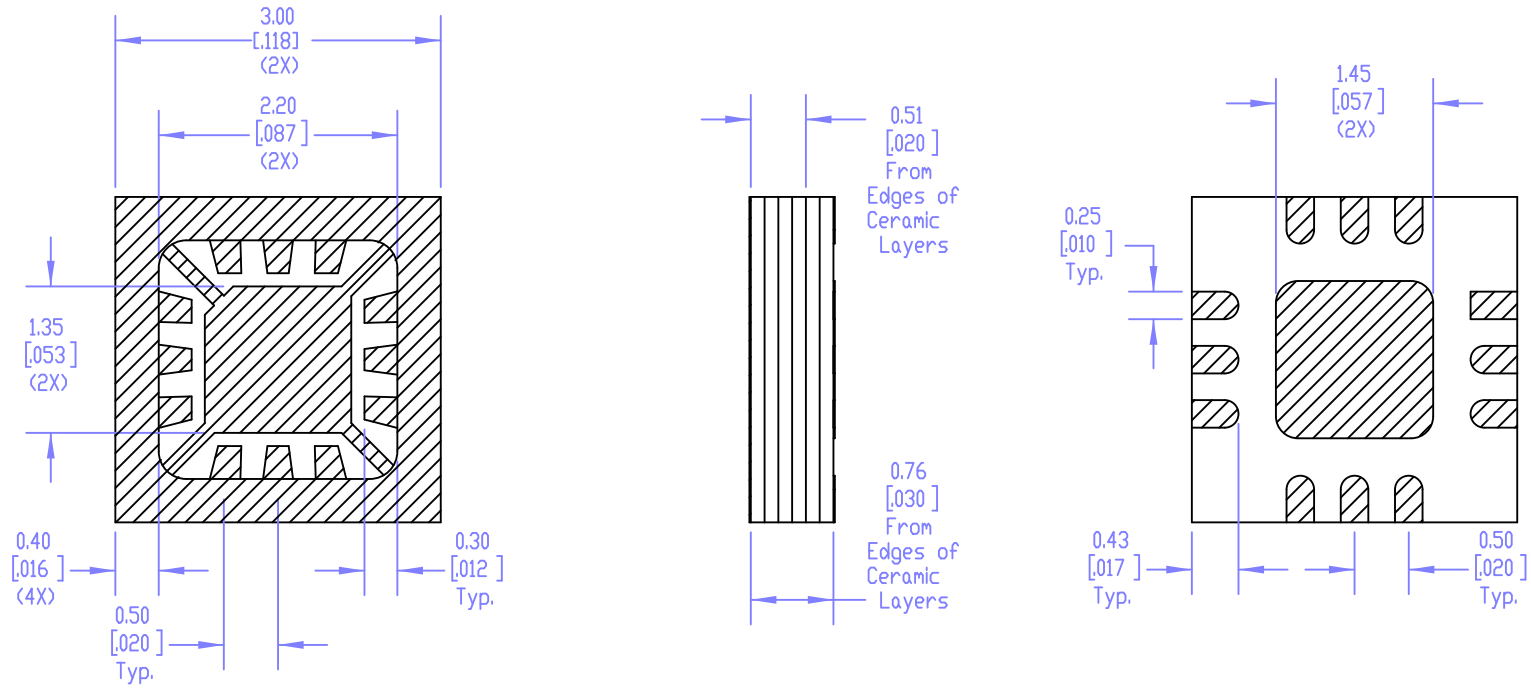
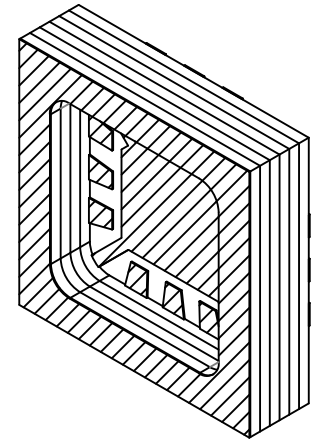


Revisions	ECO #	
	Approved	
	Date	
	Description	
Rev		



Via Planarity (not to scale)



Drawn R. HUOT	Date JAN 5 2017	UNLESS OTHERWISE SPECIFIED: DIMENSIONS ARE IN MILLIMETERS.		<b>BARRY</b>	Title 3mm - 12 Pin QFN - Grounded Seal Ring	
Engineering	Date	TOLERANCES ON DECIMALS	ON ANGLES		60 WALTON ST. ATTLEBORO, MA. 02703 (508) 226-3350 www.barryind.com	Drawing No. QFN-3312-0721
Q.A.	Date	.X ± .25	± .5°	Scale 14:1 Drawing Size A		Used On
Manufacturing	Date	.XX ± .10				
Released	Date	.XXX ± .050				
		.XXXX ± .0100	Material AlN	CODE IDENT NO. 6P825		
			Finish			Sheet 1 of 1